

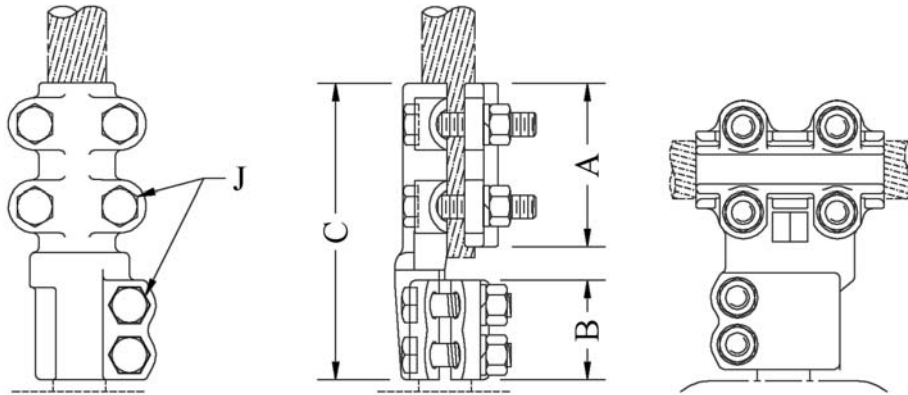
BRONZE STUD CONNECTORS

TYPE SCC

Stud to Cable

All-bronze stud connector for copper stud to range of copper cable. Reversible cap assures effective clamping on a full range of conductor sizes. For 90° take-off, insert SCC90 in place of SCC in the table below.

Castings: Electrical Bronze
Hardware: Silicon Bronze
Options: See page 154



CATALOG NUMBER	STUD DIA./THD.	CONDUCTOR RANGE	DIMENSIONS-INCHES				WEIGHT (POUNDS)
			A	B	C	J	
SCC-1811	3/4 - 16	#6 SOL. - 4/0 STR.	3-1/4	2	5-3/8	3/8	2.55
SCC-1814		#4W - 300 MCM	3-1/4	1-3/4	5-1/2	3/8	2.80
SCC-2714	1 - 14	#4W - 300 MCM	3-1/4	2	5-13/16	3/8	3.85
SCC-2720		1/0 SOL. - 500 MCM	3-3/8	2	6	3/8	3.40
SCC-3311	1-1/8 - 12	#6 SOL. - 4/0 STR.	3-1/8	2-1/8	5-7/8	3/8	3.05
SCC-3314		#4W - 300 MCM	3-1/8	2-1/8	6	3/8	3.10
SCC-3320		1/0 SOL. - 500 MCM	3-7/16	2-1/8	6-3/8	3/8	3.60
SCC-3334		4/0 SOL. - 1000 MCM	3-1/2	2-1/8	6-3/8	1/2	5.75
SCC-3614	1-1/4 - 12	#4W - 300 MCM	3-3/8	2-1/4	5-3/4	3/8	3.25
SCC-3620		1/0 SOL. - 500 MCM	3-3/8	2-1/8	6-3/8	3/8	4.00
SCC-3634		4/0 SOL. - 1000 MCM	4-1/4	2-1/4	7-1/16	1/2	4.85
SCC-4414	1-1/2 - 12	#4W - 300 MCM	3-1/8	2-1/8	6	3/8	4.10
SCC-4420		1/0 SOL. - 500 MCM	3-7/16	2-1/8	6-3/16	3/8	4.10
SCC-4434		4/0 SOL. - 1000 MCM	4	2-1/8	7	1/2	6.55
SCC-5014	1-3/4 - 12	#4W - 300 MCM	3-1/2	2-3/8	7-1/4	1/2	5.10
SCC-5020		1/0 SOL. - 500 MCM	3-3/4	2-3/8	7-1/2	1/2	6.35
SCC-5034		4/0 SOL. - 1000 MCM	4-1/4	2-3/8	7-5/8	1/2	7.25
SCC-5048R		4/0 SOL. - 2000 MCM	4	2-1/8	6-7/8	1/2	8.50
SCC-5414	2 - 12	#4 SOL. - 300 MCM	3-3/4	2-1/2	7-3/4	1/2	5.75
SCC-5420		1/0 SOL. - 500 MCM	2-3/4	2-7/16	10-7/8	1/2	10.55
SCC-5434		4/0 SOL. - 1000 MCM	4	2-1/2	7-1/2	1/2	8.60
SCC-5914	2-1/2 - 12	#4W - 300 MCM	4-1/4	2-3/4	7-1/2	1/2	7.25
SCC-5920		1/0 SOL. - 500 MCM	4-1/2	2-3/4	7-5/8	1/2	8.70
SCC-5934		4/0 SOL. - 1000 MCM	4-1/4	2-3/4	7-1/4	1/2	10.00
SCC-6134	3 - 12	#4 STR. - 1000 MCM	3-1/2	3-1/8	12-7/16	1/2	21.80
SCC-6148		1500 MCM - 2000 MCM	5	3-1/8	13-7/8	1/2	23.25