

BRONZE STUD CONNECTORS

TYPE SATA

Variable Angle
Stud to Pipe

A Variable-angle stud connector for copper stud to copper pipe, allows 0° - 90° field adjustment for stud sizes 1-1/2" and below and pipe sizes 1-1/2" NPS, and below, as indicated by Fig. 1 in the table below. Sizes above this level are factory-set, and take-off angle must be specified at time of order.

Pipe clamp: Electrical Bronze
Stud Clamp: Electrical Bronze
Hardware: Silicon Bronze
Options: See Page 154

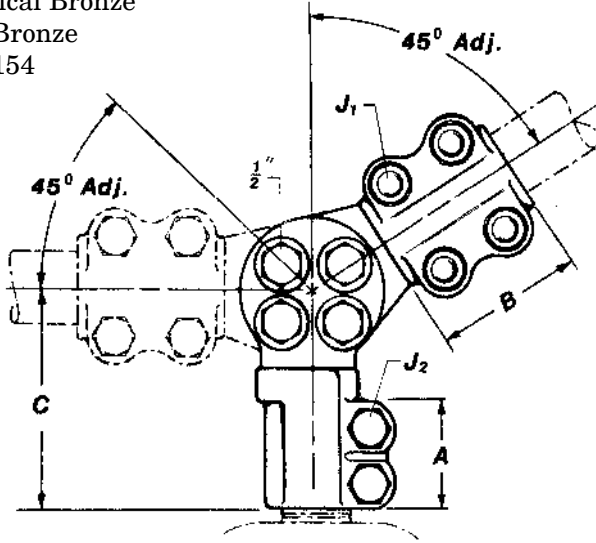


FIG. 1

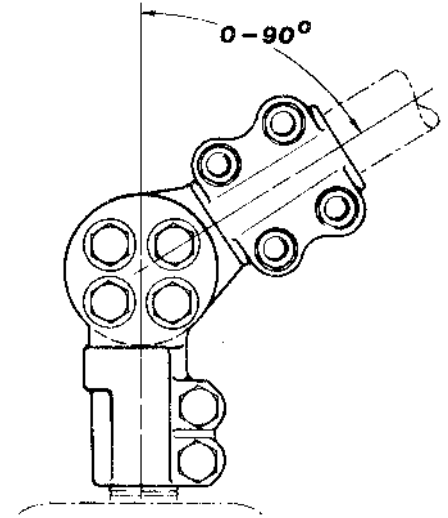


FIG. 2

CATALOG NUMBER	STUD DIA./THD.	FIG. NO.	PIPE SIZE (NPS)	DIMENSIONS - INCHES					WEIGHT (POUNDS)
				A	B	C	J1	J2	
SATA-1830	3/4 - 16	1	3/4	1-3/4	2-3/8	4	1/2	3/8	5.00
SATA-1839		1	1		3		1/2		5.00
SATA-2730	1 - 14	1	3/4	2	2-3/8	4-1/4	1/2	3/8	5.50
SATA-2739		1	1		3		1/2		5.50
SATA-2749		1	1-1/4		3		1/2		6.00
SATA-2753		1	1-1/2		3-1/8		1/2		6.50
SATA-3330	1-1/8 - 12	1	3/4	2-1/8	2-3/8	4-3/8	1/2	1/2	7.00
SATA-3339		1	1		3		1/2		10.30
SATA-3349		1	1-1/4		3		1/2		8.80
SATA-3353		1	1-1/2		3-1/8		1/2		7.00
SATA-3358		2	2		3-1/2		1/2		7.50
SATA-3639	1-1/4 - 12	1	1	2-1/8	3	4-1/2	1/2	1/2	6.25
SATA-3649		1	1-1/4		3		1/2		6.50
SATA-3653		1	1-1/2		3-1/8		1/2		11.60
SATA-3658		2	2		3-1/2		1/2		7.50
SATA-3660		2	2-1/2		3-1/2		1/2		8.00

Continued on next page

BRONZE STUD CONNECTORS

TYPE SATA Continued

CATALOG NUMBER	STUD DIA./THD.	FIG. NO.	PIPE SIZE (NPS)	DIMENSIONS - INCHES					WEIGHT (POUNDS)
				A	B	C	J1	J2	
SATA-4449	1-1/2 - 12	1	1-1/4	2-1/8	3	4-5/8	1/2	1/2	14.20
SATA-4453		1	1-1/2		3-1/8		1/2		7.80
SATA-4458		2	2		3-1/2		1/2		13.10
SATA-4460		2	2-1/2		3-1/2		1/2		15.90
SATA-4462		2	3		4		5/8		20.80
SATA-5053	1-3/4 - 12	2	1-1/2	2-3/8	3-1/8	5	1/2	1/2	14.00
SATA-5058		2	2		3-1/2		1/2		17.70
SATA-5060		2	2-1/2		3-1/2		1/2		18.05
SATA-5062		2	3		4		5/8		11.75
SATA-5453	2 - 12	2	1-1/2	2-3/8	3-1/8	5	1/2	1/2	14.05
SATA-5458		2	2		3-1/2		1/2		17.75
SATA-5460		2	2-1/2		3-1/2		1/2		12.00
SATA-5462		2	3		4		5/8		14.25
SATA-5758	2-1/4 - 12	2	2	2-5/8	3-1/2	5-1/4	1/2	1/2	20.40
SATA-5760		2	2-1/2		3-1/2		1/2		13.00
SATA-5762		2	3		4		5/8		15.25
SATA-5958	2-1/2 - 12	2	2	2-5/8	3-1/2	5-1/4	1/2	1/2	14.75
SATA-5960		2	2-1/2		3-1/2		1/2		21.20
SATA-5962		2	3		4		5/8		17.50
SATA-5963		2	3-1/2		4-3/8		5/8		27.30
SATA-6160	3 - 12	2	2-1/2	3-1/8	3-1/2	6-1/8	1/2	5/8	18.25
SATA-6162		2	3		4		5/8		20.50
SATA-6163		2	3-1/2		4-3/8		5/8		31.55
SATA-6164		2	4		4-1/2		5/8		23.00
SATA-6262	3-1/2 - 12	2	3	3-1/8	4	6-1/4	5/8	5/8	22.50
SATA-6263		2	3-1/2		4-3/8		5/8		23.50
SATA-6264		2	4		4-1/2		5/8		25.00
SATA-6362	4 - 12	2	3	3-1/4	4	6-3/8	5/8	5/8	26.00
SATA-6363		2	3-1/2		4-3/8		5/8		27.00
SATA-6364		2	4		4-1/2		5/8		28.50

