

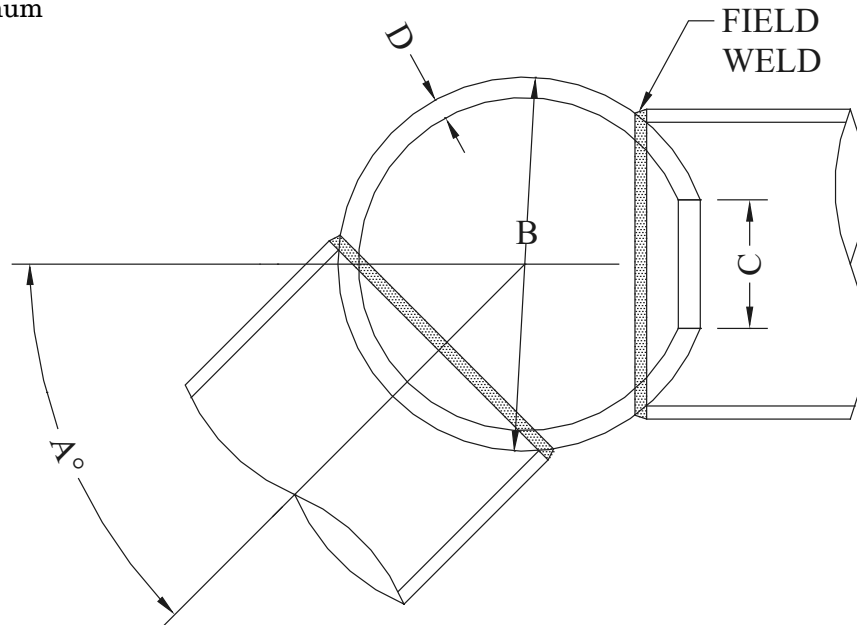
ALUMINUM COUPLERS

TYPE WLBUA

Weldment Spherical Coupler
Pipe to Pipe

Castings: 356 Aluminum

Aluminum alloy weldment variable angle spherical coupler for aluminum pipe connections.



CATALOG NUMBER	CONDUCTOR RANGE	MAX KV	DIMENSIONS - INCHES				WEIGHT (POUNDS)
			A° (MAX)	B	C	D	
WLBUA-5	1-1/2" NPS	230	130°	5	1-1/4	5/16	1.90
	2" NPS		115°				
	2-1/2" NPS		105°				
	3" NPS		90°				
	3-1/2" NPS		80°				
	4" NPS		60°				
WLBUA-8	3" NPS	345	125°	8	2-3/4	7/16	7.00
	3-1/2" NPS		120°				
	4" NPS		110°				
	5" NPS		95°				
	6" NPS		75°				
	8" OD TUBE		35°				
WLBUA-12	3" NPS	500	140°	12	2-3/4	3/8	14.30
	3-1/2" NPS		135°				
	4" NPS		130°				
	5" NPS		120°				
	6" NPS		100°				
	8" OD TUBE		90°				