

# ALUMINUM COUPLERS

## TYPE AXCF

Bolted Expansion  
Pipe Main to Pipe Tap

Castings: 365-T6 Aluminum  
Laminated Straps: 1100-0 Aluminum  
Hardware: Aluminum Alloy  
Alignment Guide: 6061-T6 Aluminum

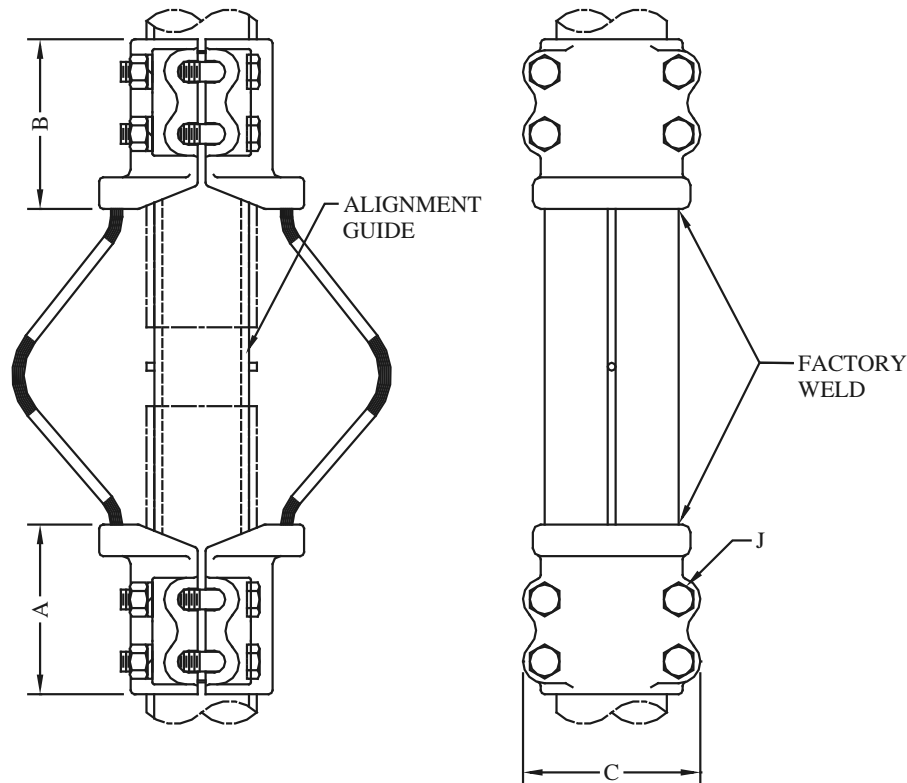
Aluminum alloy expansion coupler with alignment guide for aluminum pipe connections. Clamping bolts have hex-stops for one-wrench installation. Contact sealant is recommended.

Add suffix (H) to catalog number for schedule 80 pipe.

Example: AXCF-6060H

Add suffix (-NG) for no guide.

Example: AXCF-6060-NG



CATALOG NUMBER	CONDUCTOR SIZE (NPS)		DIMENSIONS - INCHES				WEIGHT (POUNDS)
	PIPE MAIN	PIPE TAP	A	B	C	J	
AXCF-3939	1	1	4	4	3-1/8	1/2	3.10
AXCF-4949	1-1/4	1-1/4	4-1/4	4-1/4	3-5/8	1/2	4.00
AXCF-5353	1-1/2	1-1/2	4-3/8	4-3/8	3-7/8	1/2	9.00
AXCF-5858	2	2	4-3/4	4-3/4	4-1/4	1/2	11.00
AXCF-6060	2-1/2	2-1/2	4-3/4	4-3/4	4-3/4	1/2	12.00
AXCF-6262	3	3	5-3/8	5-3/8	5-3/4	1/2	16.00
AXCF-6363	3-1/2	3-1/2	5-3/4	5-3/4	6-1/4	5/8	21.00
AXCF-6464	4	4	5-3/4	5-3/4	6-3/4	5/8	24.00
AXCF-6767	5	5	8-1/2	8-1/2	7-7/8	5/8	29.00

**SEFCOR**