

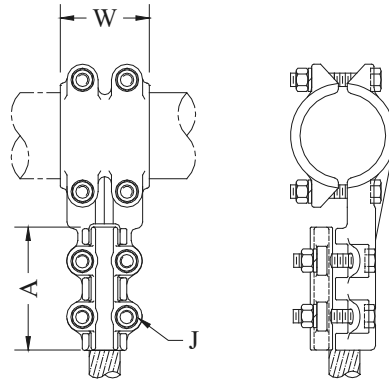
# BRONZE TEE CONNECTORS

## TYPE TTRCT

Straight Bolted  
Pipe Main to Cable Tap

Castings: Electrical Bronze  
Hardware: Silicon Bronze

Bronze alloy tee for connecting copper pipe main to copper cable tap. Clamping bolts have hex-stops for one-wrench installation. 1/2" clamping hardware available upon request.



CATALOG NUMBER	CONDUCTOR SIZE		DIMENSIONS - INCHES			WEIGHT (POUNDS)
	PIPE MAIN (NPS)	CABLE TAP	A	W	J	
TTRCT-3014	3/4	#4W - 300 MCM	3-1/4	2-7/16	3/8	2.95
TTRCT-3020		1/0 - 500 MCM	3-3/8	2-3/8	3/8	3.05
TTRCT-3914	1	#4W - 300 MCM	3	2-1/2	3/8	3.50
TTRCT-3920		1/0 - 500 MCM	3-7/16	2	3/8	4.10
TTRCT-4914	1-1/4	#4W - 300 MCM	3-1/4	2-1/2	3/8	4.50
TTRCT-4920		1/0 - 500 MCM	3-1/2	2-1/2	3/8	5.25
TTRCT-5314	1-1/2	#4W - 300 MCM	3-1/8	2-1/4	3/8	4.20
TTRCT-5320		1/0 - 500 MCM	3-1/2	2-1/4	3/8	6.10
TTRCT-5334		4/0 - 500 MCM	4	2-3/4	1/2	6.65
TTRCT-5814	2	#4W - 300 MCM	3-1/4	2-1/2	3/8	5.75
TTRCT-5820		1/0 - 500 MCM	3-1/2	2-1/2	3/8	5.55
TTRCT-5834		4/0 - 500 MCM	3-1/2	3	1/2	7.00
TTRCT-6014	2-1/2	#4W - 300 MCM	3-5/8	3	1/2	7.90
TTRCT-6020		1/0 - 500 MCM	3-1/4	2-1/4	3/8	7.15
TTRCT-6034		4/0 - 500 MCM	3-1/2	3	1/2	8.90
TTRCT-6220	3	1/0 - 500 MCM	3-1/2	3	1/2	10.75
TTRCT-6234		4/0 - 1000 MCM	3-1/2	3-1/2	1/2	11.95
TTRCT-6248		1000 - 2000 MCM	5	3	1/2	11.60
TTRCT-6320	3-1/2	1/0 - 500 MCM	3-1/2	3-1/4	1/2	14.35
TTRCT-6334		4/0 - 1000 MCM	3-1/2	3-1/4	1/2	16.20
TTRCT-6348		1500 - 2000 MCM	5	3-1/4	1/2	27.00
TTRCT-6420	4	1/0 - 500 MCM	3-3/8	3-1/4	1/2	14.55
TTRCT-6434		4/0 - 1000 MCM	4-1/4	3	1/2	11.60
TTRCT-6448		500 - 2000 MCM	5	4-1/2	1/2	13.00