

# BRONZE TEE CONNECTORS

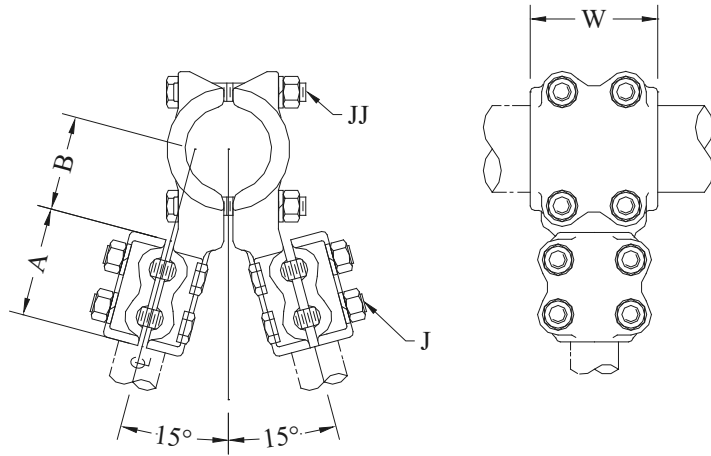
## TYPE AVT15-BR

Angle Bolted  
Pipe Main to Two Pipe Tap

Castings: Electrical Bronze  
Hardware: Silicon Bronze

Bronze alloy angle tee for connecting copper pipe main to two copper pipe taps at 15°. Clamping bolts have hex-stops for one-wrench installation.

Also available with two 10° tap. Example: AVT10-5858-BR



CATALOG NUMBER	CONDUCTOR SIZE (NPS)		DIMENSIONS - INCHES					WEIGHT (POUNDS)
	PIPE MAIN	PIPE TAP	A	B	W	J	JJ	
AVT15-3930-BR	1	3/4	2-3/8	2	3	1/2	1/2	12.35
AVT15-4930-BR	1-1/4	3/4	2-3/8	2-11/16	3	1/2	1/2	15.70
AVT15-4939-BR		1	3	2-7/8	3-1/2	1/2	1/2	13.55
AVT15-5330-BR	1-1/2	3/4	3	2-7/8	3-1/2	1/2	1/2	15.00
AVT15-5339-BR		1	3	2-7/8	3-1/2	1/2	1/2	15.65
AVT15-5349-BR		1-1/4	3	2-7/8	3-1/2	1/2	1/2	17.30
AVT15-5839-BR	2	1	3	2-7/8	3-1/2	1/2	1/2	15.80
AVT15-5849-BR		1-1/4	3	3	3-1/2	1/2	1/2	17.20
AVT15-5853-BR		1-1/2	3-1/8	2-5/8	3-1/2	1/2	1/2	20.40
AVT15-5858-BR		2	3-1/2	3	3-1/2	1/2	1/2	21.10
AVT15-6049-BR	2-1/2	1-1/4	3	2-5/8	3-1/2	1/2	1/2	19.25
AVT15-6053-BR		1-1/2	3-1/8	2-5/8	3-1/2	1/2	1/2	20.55
AVT15-6058-BR		2	3-1/2	2-7/8	3-1/2	1/2	1/2	23.70
AVT15-6253-BR	3	1-1/2	3-1/8	3-1/2	3-1/2	1/2	1/2	22.50
AVT15-6258-BR		2	3-1/2	3-1/2	3-1/2	1/2	1/2	24.40
AVT15-6260-BR		2-1/2	3-1/2	3-5/8	3-1/2	1/2	1/2	27.70
AVT15-6358-BR	3-1/2	2	3-1/2	3-1/4	3-1/4	1/2	1/2	29.25
AVT15-6360-BR		2-1/2	3-1/2	3-5/8	3-1/4	1/2	1/2	35.90
AVT15-6362-BR		3	4	4-1/4	4	5/8	5/8	47.25
AVT15-6458-BR	4	2	3-1/2	4-1/2	4	1/2	5/8	33.80
AVT15-6460-BR		2-1/2	3-1/2	4-1/4	4-1/2	1/2	5/8	40.60
AVT15-6462-BR		3	4	4-1/4	4	5/8	5/8	48.20

\* Contact factory for other conductor combinations.

# SEFCOR