

ALUMINUM BUS SUPPORTS

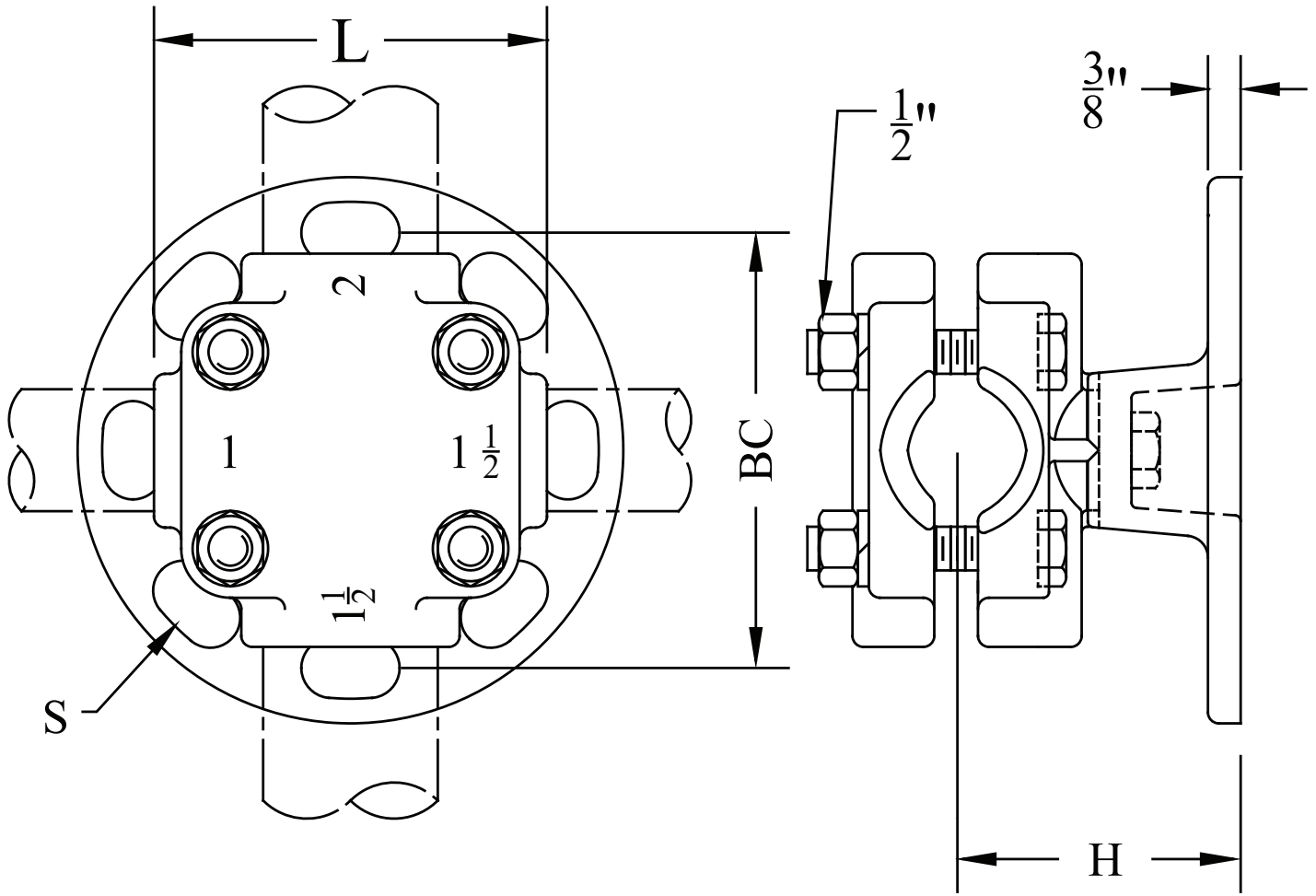
TYPE ASCRI

Horizontal Bolted

Pipe or Cable to Insulator

Aluminum alloy bus support for a range of aluminum cable or pipe.
Hex-stops provided for one wrench installation of clamping bolts.
Hardware supplied for CAP mounting.
For PIN mounting, add suffix (P) to catalog number.
Example: ASCRI-53-3P

Castings: 356-T6 Aluminum
Clamping Hardware: Aluminum Alloy
Mounting Hardware: Galvanized Steel



CATALOG NUMBER	CONDUCTOR RANGE		DIMENSIONS - INCHES				WEIGHT (POUNDS)
	CABLE	PIPE	H	L	B.C.	S	
ASCRI-53-3			3	4-1/2	3	9/16 x 13/16	2.90
ASCRI-53-5	750 - 3000 AAC 666-2515 ACSR	1" O.D. - 2" O.D. .75" - 1-1/2" NPS	3-1/4	4-1/2	5	11/16 x 1-1/16	3.75
ASCRI-53-7			3-1/4	4-1/2	7	13/16 x 1-1/16	6.25