

EHV TEE CONNECTORS

ALUMINUM • 345 - 500 KV

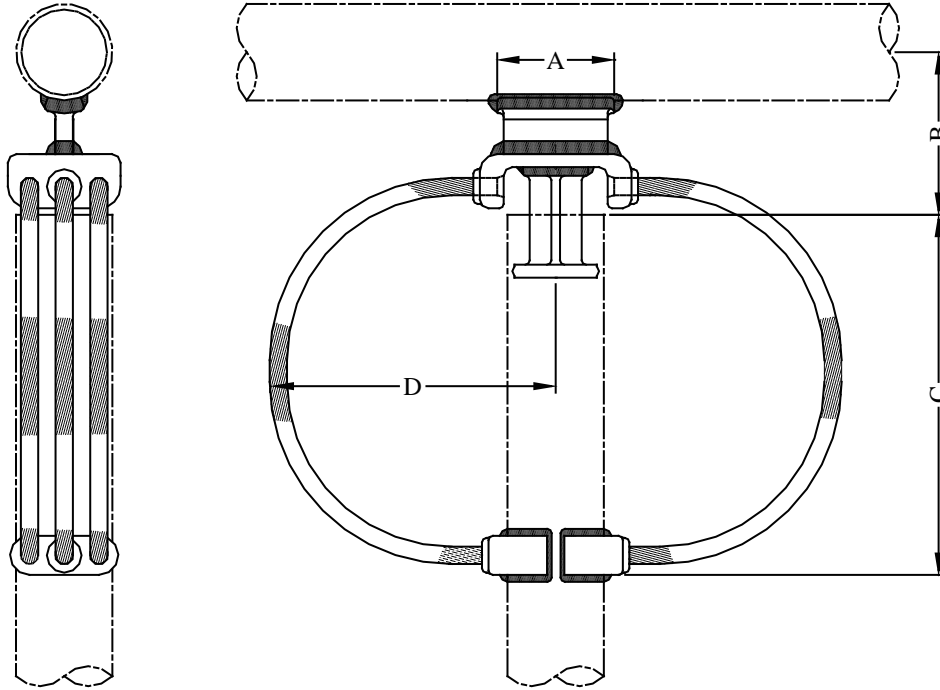
TYPE WTTCC

Weld Expansion
Pipe To Pipe

Type WTTCC is rated for corona-free service through 345 KV. Due to the orientation of the flexible elements, a total movement of $\pm 1\text{-}1/2''$ is accommodated.
Specify NPS and EHPS.

Castings: 356-T6 Aluminum

Flexible Elements: Class A Str. Cable



| CATALOG NUMBER | PIPE SIZE (NPS) | | DIMENSIONS-INCHES | | | |
|----------------|-----------------|-------|-------------------|-------|--------|----|
| | MAIN | TAP | A | B | C | D |
| WTTCC-6262 | 3 | 3 | 5 | 5-1/2 | 15 | 12 |
| WTTCC-6362 | 3-1/2 | 3 | 5 | 5-3/4 | 15 | 12 |
| WTTCC-6363 | | 3-1/2 | 5-1/2 | 5-3/4 | 15 | 12 |
| WTTCC-6462 | 4 | 3 | 5 | 6 | 15 | 12 |
| WTTCC-6464 | | 4 | 6-1/4 | 6 | 15-1/2 | 12 |
| WTTCC-6762 | 5 | 3 | 5 | 6-5/8 | 15 | 12 |
| WTTCC-6763 | | 3-1/2 | 5-1/2 | 6-5/8 | 15 | 12 |
| WTTCC-6764 | | 4 | 6-1/4 | 6-5/8 | 15-1/2 | 12 |
| WTTCC-6767 | | 5 | 7-3/4 | 6-5/8 | 21 | 15 |
| WTTCC-6962 | 6 | 3 | 5 | 7-1/8 | 15 | 12 |
| WTTCC-6963 | | 3-1/2 | 5-1/2 | 7-1/8 | 15 | 12 |
| WTTCC-6964 | | 4 | 6-1/4 | 7-1/8 | 15-1/2 | 12 |
| WTTCC-6967 | | 5 | 7-3/4 | 7-1/8 | 21 | 15 |
| WTTCC-6969 | | 6 | 8-1/4 | 7-1/8 | 24 | 18 |