

EHV TEE CONNECTORS

ALUMINUM • 345 - 500 KV

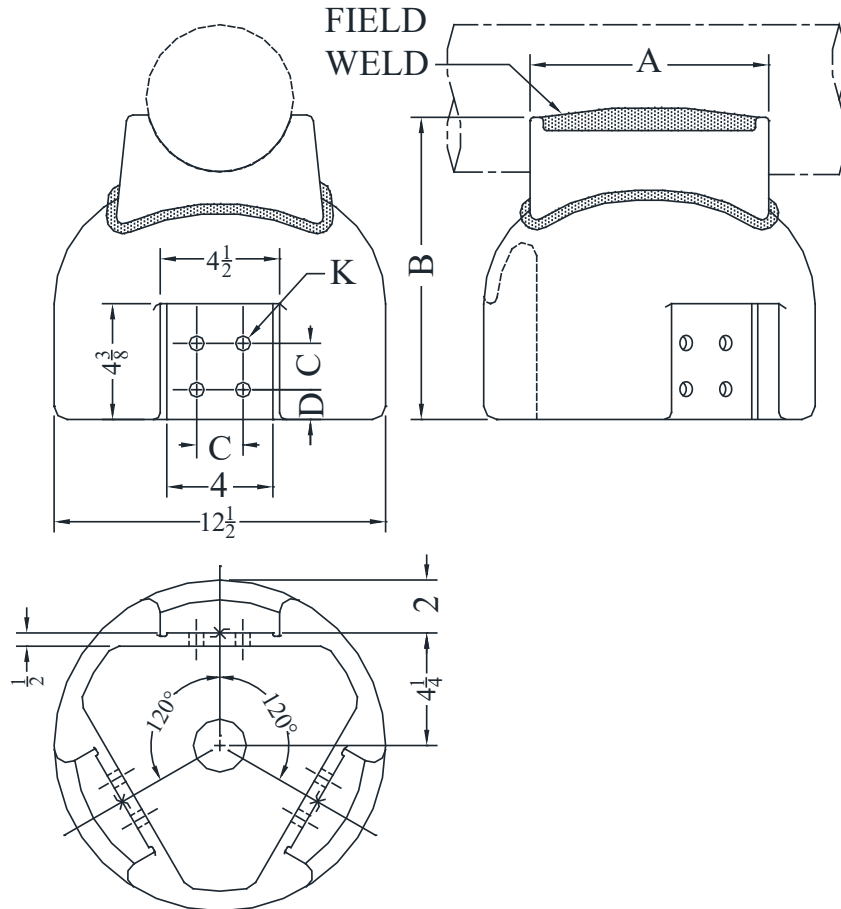
TYPE WTTC3

Weld - Pipe To Three Flats

Castings: 356-T6 Aluminum

Type WTTC3 is designed for corona-free service at 500 KV, when used with three (3) compression terminals to form a trifurcating pipe-cable connection. Hardware shields are not required when terminal mounting hardware is arranged so that nuts are inside the bell. Mounting hardware must be ordered separately.

Note: This fitting is designed for welding at the centerline of the bus as shown. Welding around the saddle is not necessary and is not recommended for mid-span taps.



CATALOG NUMBER	PIPE SIZE (NPS)	DIMENSIONS - INCHES				
		A	B	C	D	K
WTTC3-62	3	6	13-3/4	1-3/4	1-1/8	9/16
WTTC3-63	3-1/2	7	11-1/4	1-3/4	1-1/8	9/16
WTTC3-64	4	8	11-1/2	1-3/4	1-1/8	9/16
WTTC3-67	5	9	12-1/8	1-3/4	1-1/8	9/16
WTTC3-69	6	9	12-1/2	1-3/4	1-1/8	9/16