

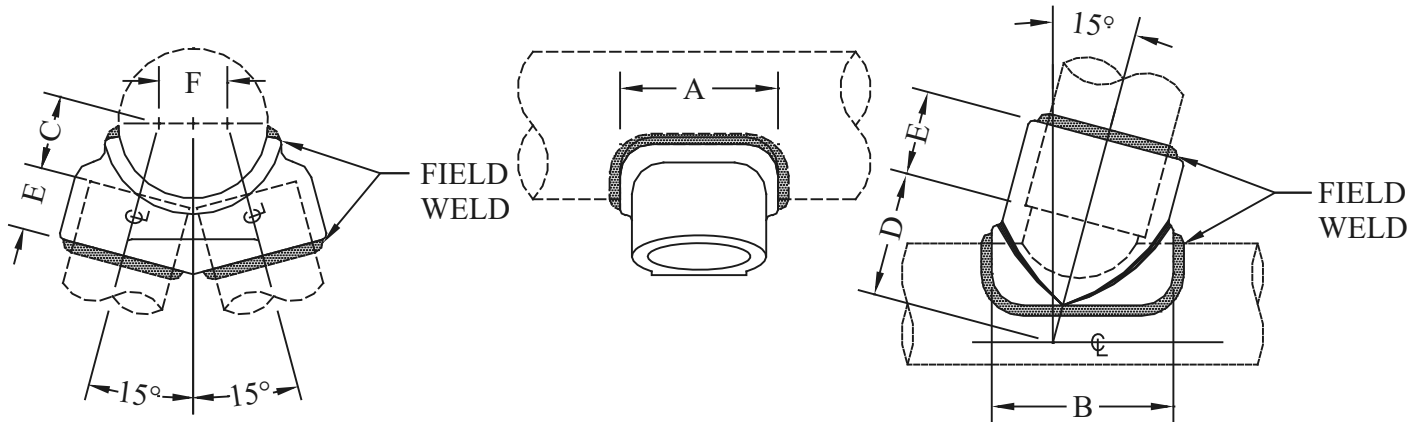
EHV TEE CONNECTORS

ALUMINUM • 345 - 500 KV

TYPE WFVT15-HV
TYPE WFTT15-HV
 Welded "A"-Frame Connectors

Type WFVT-HV and WFTT-HV are designed for corona-free service within the voltage limitations of the A-frame pipe members. Fittings are sanded and wire-brushed to meet EHV requirements in finish and appearance.

Castings: 356-T6 Aluminum



CATALOG NUMBER		PIPE SIZE (NPS)		DIMENSIONS - INCHES					
TYPE WFVT-HV	TYPE WFTT-HV	MAIN	TAP(S)	A	B	C	D	E	F
WFVT15-6060-HV	WFTT15-6060-HV	2-1/2	2-1/2	4-1/4	4-3/8	1-3/8	2-1/8	2	2-1/4
WFVT15-6260-HV	WFTT15-6260-HV	3	2-1/2	4-1/4	4-1/2	1-5/8	2-3/8	2	2-1/4
WFVT15-6262-HV	WFTT15-6262-HV		3	5-1/4	5-3/8	1-5/8	2-1/2	2-1/2	2-7/8
WFVT15-6360-HV	WFTT15-6360-HV	3-1/2	2-1/2	4-1/4	4-3/8	2-3/8	2-1/2	2	1-3/4
WFVT15-6363-HV	WFTT15-6363-HV		3-1/2	5-3/4	6-1/8	2-1/4	2-7/8	2-1/2	3-1/4
WFVT15-6460-HV	WFTT15-6460-HV	4	2-1/2	4-1/4	4-5/8	2-3/8	3	2	1-3/4
WFVT15-6462-HV	WFTT15-6462-HV		3	4-3/4	5-3/4	2-1/4	3	2-1/2	2-1/2
WFVT15-6464-HV	WFTT15-6464-HV		4	6-1/4	6-5/8	2-3/4	3-3/4	3	3-1/2
WFVT15-6760-HV	WFTT15-6760-HV	5	2-1/2	4-1/2	4-7/8	2-7/8	3-1/2	2	1-5/8
WFVT15-6762-HV	WFTT15-6762-HV		3	4-3/4	5-1/2	2-3/4	3-3/4	2-1/2	2-1/4
WFVT15-6763-HV	WFTT15-6763-HV		3-1/2	5-3/4	5-7/8	2-7/8	3-5/8	2-1/2	2-3/4
WFVT15-6767-HV	WFTT15-6767-HV		5	8	7-3/4	3	4	3	4
WFVT15-6962-HV	WFTT15-6962-HV	6	3	5-3/8	5-3/8	3-1/2	4-1/8	2-1/2	2
WFVT15-6963-HV	WFTT15-6963-HV		3-1/2	5-3/4	5-7/8	3-1/4	4-1/8	2-1/2	2-1/2
WFVT15-6964-HV	WFTT15-6964-HV		4	6-3/4	6-5/8	3-1/4	4-1/4	3	2-3/4
WFVT15-6967-HV	WFTT15-6967-HV		5	8	7-3/4	3-1/8	4-1/2	3	4