

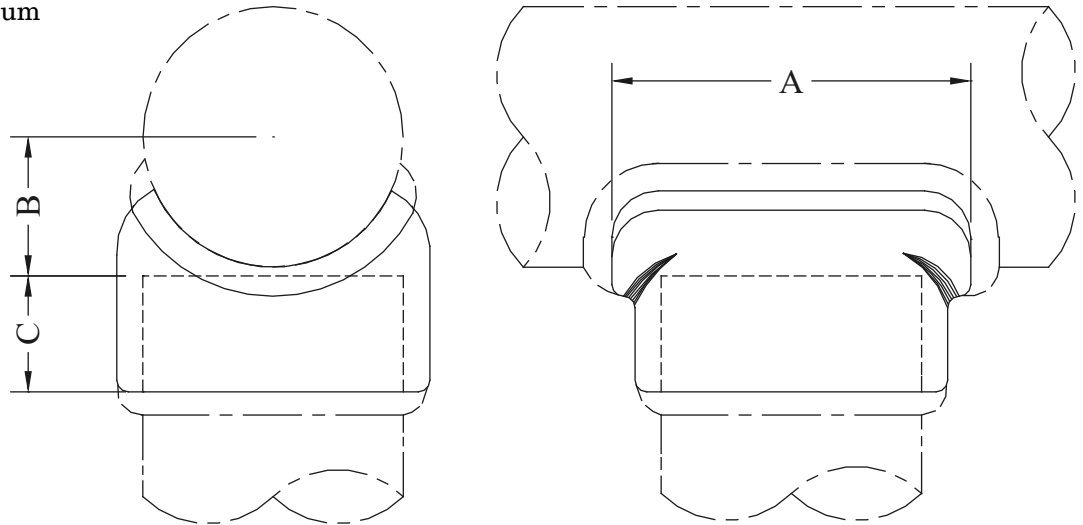
# EHV TEE CONNECTORS

ALUMINUM • 345 - 500 KV

**TYPE WFTT-HV**  
Welded Tee - Pipe To Pipe

Castings: 356-T6 Aluminum

Type WFTT-HV is designed for corona-free service within the voltage limitations of the pipe size on which it is used. Fittings are sanded and wire-brushed to meet the EHV requirements in finish and appearance.



CATALOG NUMBER	PIPE SIZE (NPS)		DIMENSIONS - INCHES		
	MAIN	TAP	A	B	C
WFTT-6058-HV	2-1/2	2	3-1/2	1-9/16	1-5/16
WFTT-6060-HV		2-1/2	4-1/4	1-9/16	2
WFTT-6260-HV	3	2-1/2	4-1/2	2	1-3/4
WFTT-6262-HV		3	5	2	1-3/4
WFTT-6360-HV	3-1/2	2-1/2	4-1/8	2-1/8	2
WFTT-6362-HV		3	5-1/2	2-1/8	2-3/8
WFTT-6363-HV		3-1/2	5-1/2	2-1/8	2-3/8
WFTT-6460-HV	4	2-1/2	4-1/4	2-1/2	2
WFTT-6462-HV		3	5-1/4	2-3/8	2-1/2
WFTT-6463-HV		3-1/2	6	2-1/2	2-3/4
WFTT-6464-HV		4	6-1/4	2-3/8	2-3/8
WFTT-6760-HV	5	2-1/2	4-1/4	3	2
WFTT-6762-HV		3	5-1/8	3	2-1/2
WFTT-6763-HV		3-1/2	5-1/2	3	2-3/8
WFTT-6764-HV		4	6-1/4	3	2-1/2
WFTT-6767-HV		5	7-3/4	3	2-1/2
WFTT-6960-HV	6	2-1/2	4-1/2	3-1/2	2
WFTT-6962-HV		3	4-7/8	3-1/2	2-1/2
WFTT-6963-HV		3-1/2	5-1/4	3-1/2	2-3/8
WFTT-6964-HV		4	6-1/16	3-9/16	2-1/2
WFTT-6967-HV		5	7-1/2	3-5/8	2-1/2
WFTT-6969-HV		6	8-1/4	3-5/8	3