

EHV TEE CONNECTORS

ALUMINUM • 345 - 500 KV

TYPE ATTHV

Bolted Tee - Pipe To Pipe

Castings: 356-T6 Aluminum

Clamping Hardware: Aluminum Alloy

Type ATTHV is designed for corona-free service at the voltage levels shown below. The finished contact surfaces are protected by factory-applied oxidation inhibitor.

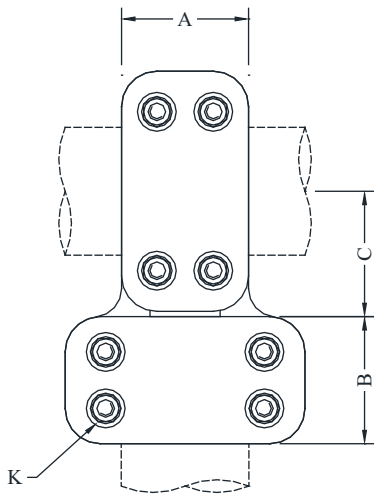


FIG. 1

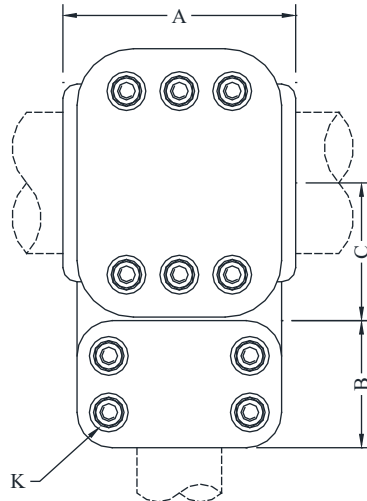


FIG. 2

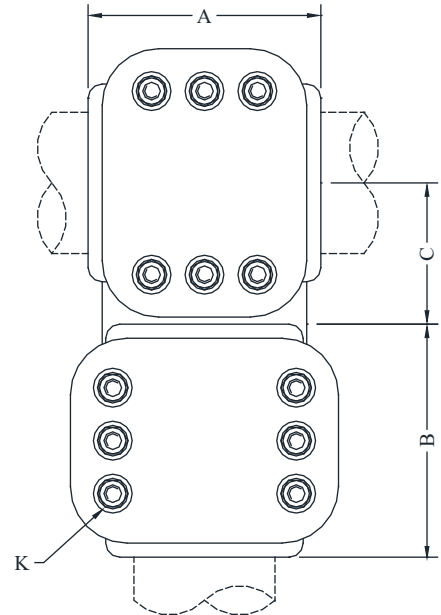


FIG. 3

CATALOG NUMBER	FIG. NO.	PIPE SIZE (NPS)		MAX. KV.	DIMENSIONS - INCHES			
		MAIN	TAP		A	B	C	K
ATTHV-5858	1	2	2	345	4	4	3-1/8	5/8
ATTHV-6058	1	2-1/2	2	345	4	4	3-3/4	5/8
ATTHV-6060	1		2-1/2	345	4	4	3-3/4	5/8
ATTHV-6260	1	3	2-1/2	345	5	4	3-5/8	5/8
ATTHV-6262	1		3	500	5	5	3-5/8	5/8
ATTHV-6360	1	3-1/2	2-1/2	345	5	4	3-7/8	5/8
ATTHV-6362	1		3	500	5	5	3-7/8	5/8
ATTHV-6363	1		3-1/2	500	5	5	3-3/4	5/8
ATTHV-6460	1	4	2	345	4-1/2	4	4-3/8	5/8
ATTHV-6462	1		3	500	4-1/2	4-1/2	4-3/8	5/8
ATTHV-6464	1		4	500	4-1/2	4-1/2	4-7/16	5/8
ATTHV-6760	2	5	2-1/2	500	8-1/4	4	5-1/8	5/8
ATTHV-6762	2		3	500	8-1/4	4-1/2	4-7/8	5/8
ATTHV-6763	2		3-1/2	500	8-1/4	4-1/2	4-7/8	5/8
ATTHV-6767	3		5	500	8-1/4	8-1/4	5	5/8
ATTHV-6962	2	6	3	500	7	4-1/2	5-1/8	5/8
ATTHV-6963	2		3-1/2	500	7	4-1/2	5-1/8	5/8
ATTHV-6964	2		4	500	7	4-1/2	5-1/2	5/8
ATTHV-6969	3		6	500	7	7	6	5/8