

# ALUMINUM BUS SUPPORTS

## TYPE ACTI

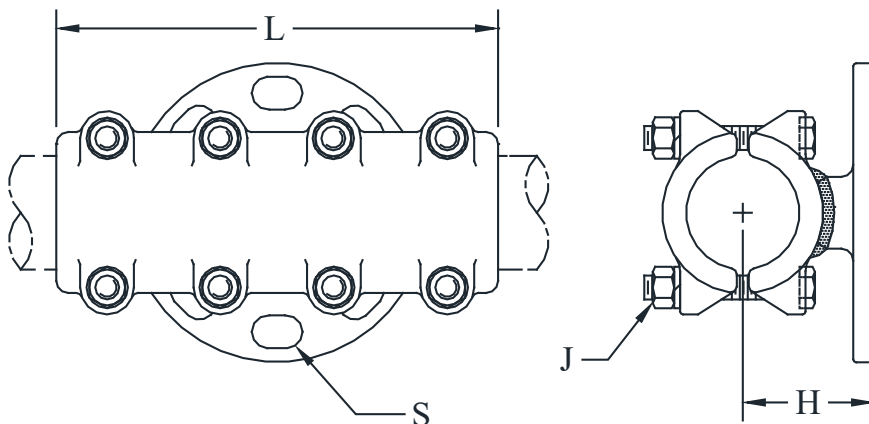
Horizontal Bolted  
Pipe to Insulator  
(Coupler)

Aluminum alloy rigid bus support for aluminum pipe.  
Clamping bolts have hex stops for one wrench installation.

Hardware supplied for CAP mounting.  
For PIN mounting, add suffix (P) to catalog number.

Example: ACTI-60-3P

Castings: 356-T6 Aluminum  
Clamping Hardware: Aluminum Alloy  
Mounting Hardware: Galvanized Steel



CATALOG NUMBER	PIPE SIZE (NPS)	BOLT CIRCLE	DIMENSIONS - INCHES				WEIGHT (POUNDS)
			H	L	J	S	
ACTI-30-3	3/4	3	2-1/16	6-1/4	1/2	9/16 x 13/16	3.50
ACTI-30-5		5	2-1/16	6-1/4	1/2	11/16 x 1	4.10
ACTI-39-3	1	3	2-1/4	6-1/4	1/2	9/16 x 13/16	3.75
ACTI-39-5		5	2-1/4	6-1/4	1/2	11/16 x 1	4.35
ACTI-49-3	1-1/4	3	2-1/4	5-3/4	1/2	9/16 x 13/16	2.60
ACTI-49-5		5	2-3/8	5-3/4	1/2	11/16 x 1-1/16	3.30
ACTI-53-3	1-1/2	3	2-1/2	6-1/4	1/2	9/16 x 13/16	4.80
ACTI-53-5		5	2-1/2	6-1/4	1/2	11/16 x 1-1/16	5.45
ACTI-58-3	2	3	2-3/4	9-1/4	1/2	9/16 x 7/8	5.10
ACTI-58-5		5	2-3/4	9-1/4	1/2	11/16 x 1	5.70
ACTI-60-3	2-1/2	3	3-1/8	8-1/4	1/2	9/16 x 13/16	5.90
ACTI-60-5		5	3-1/8	8-1/4	1/2	11/16 x 1	6.45
ACTI-62-3	3	3	3-5/8	10-1/8	1/2	9/16 x 13/16	11.35
ACTI-62-5		5	3-5/8	10-1/8	5/8	11/16 x 1-1/16	14.00
ACTI-62-7		7	3-5/8	11-3/4	5/8	13/16 x 1-3/16	15.30
ACTI-63-3	3-1/2	3	4	11	5/8	11/16 x 1	14.80
ACTI-63-5		5	4	11	5/8	11/16 x 1-1/16	14.05
ACTI-63-7		7	4	11	5/8	13/16 x 13/16	14.70
ACTI-64-3	4	3	4-1/2	12	5/8	9/16 x 1	22.50
ACTI-64-5		5	4-1/2	12	5/8	11/16 x 1-1/16	21.75
ACTI-67-5	5	5	5-1/16	13-1/2	5/8	11/16 x 1-1/16	20.00
ACTI-67-7		7	5-1/16	13-1/2	5/8	13/16 x 1-5/16	14.20
ACTI-69-5	6	5	5-1/2	12-13/16	5/8	11/16 x 1-1/16	29.00
ACTI-69-7		7	5-1/2	12-3/4	5/8	13/16 x 1-3/16	30.70