

EHV TEE CONNECTORS

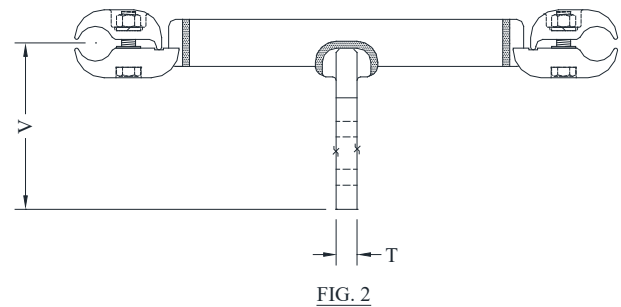
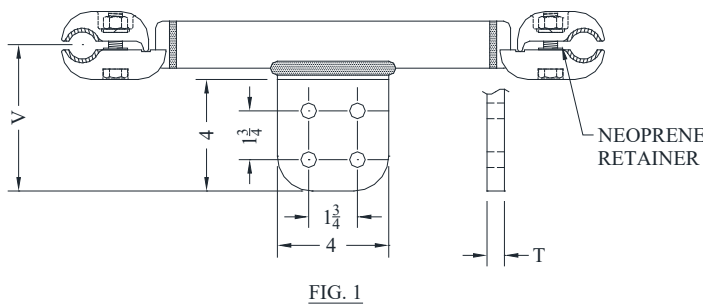
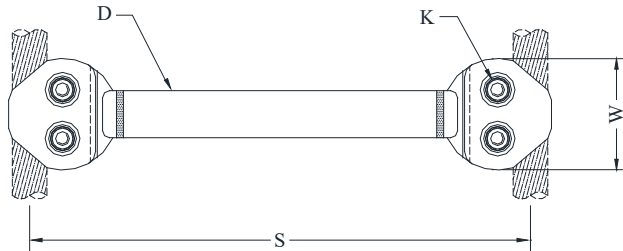
ALUMINUM • 345 - 500kV

TYPE ACFHV2

Bolted -Two Cables to Flat

Castings: 356-T6 Aluminum
 Spacer Pipe: 6061-T6 Aluminum
 Clamping Hardware: Aluminum Alloy

Type ACFHV2 is designed for corona-free service at 345kV and 500kV, as listed below. Cable spacing other than shown in the table may be specified by changing the catalog number suffix. If pad hardware shields are required, add suffix -HS to catalog number. Example: ACFHV-38-12-HS.
 NOTE: See hardware shields AA-1094.



CATALOG NUMBER		CONDUCTOR RANGE (IN INCHES)	DIMENSIONS - INCHES					
FIG. 1	FIG. 2		D	K	S	T	V	W
FOR 345kV SERVICE								
ACFHV2-32-12	ACFHV2-32-12R	1.026 - 1.094	1.32	1/2	12	5/8	5-1/2	4
ACFHV2-35-12	ACFHV2-35-12R	1.108 - 1.196	1.32	1/2	12	5/8	5-1/2	4
ACFHV2-38-12	ACFHV2-38-12R	1.212 - 1.293	1.32	1/2	12	5/8	5-1/2	4
ACFHV2-41-12	ACFHV2-41-12R	1.300 - 1.382	1.66	1/2	12	3/4	5-5/8	4
ACFHV2-43-12	ACFHV2-43-12R	1.385 - 1.465	1.66	1/2	12	3/4	5-5/8	4
ACFHV2-46-12	ACFHV2-46-12R	1.466 - 1.545	1.66	1/2	12	3/4	5-5/8	4
FOR 500kV SERVICE								
ACFHV2-46-18	ACFHV2-46-18R	1.466 - 1.545	1.66	1/2	18	3/4	5-5/8	4
ACFHV2-48-18	ACFHV2-48-18R	1.602 - 1.630	1.66	1/2	18	3/4	5-5/8	4
ACFHV2-51-18	ACFHV2-51-18R	1.729 - 1.823	1.66	5/8	18	3/4	5-5/8	4-3/8
ACFHV2-54-18	ACFHV2-54-18R	1.912 - 1.996	1.66	5/8	18	3/4	5-5/8	4-3/8
ACFHV2-56-18	ACFHV2-56-18R	2.158	1.66	5/8	18	3/4	5-5/8	4-3/8