

# EHV TEE CONNECTORS

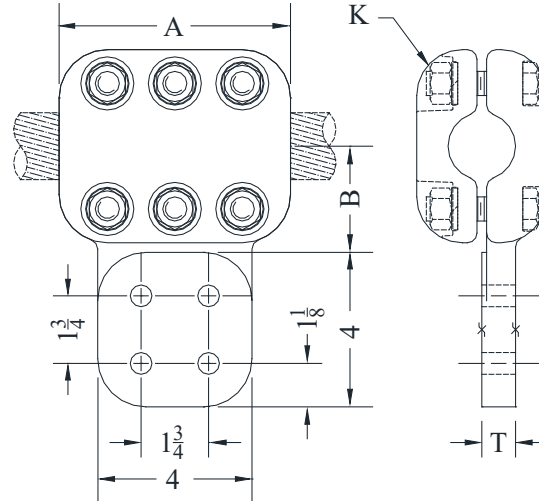
ALUMINUM • 345kV

## TYPE ACFHV

Bolted - Cable To Flat

Castings: 356-T6 Aluminum  
Clamping Hardware: Aluminum Alloy

Type ACFHV is designed for corona-free service at 345kV. The catalog numbers below are without pad hardware shields. When shields are required, add suffix -HS to catalog number. EXAMPLE: ACFHV-50-4B-HS  
Shipped with inhibitor-coated contact surfaces.  
NOTE: See hardware shields AA-1094.



CATALOG NUMBER	CONDUCTOR SIZE (MCM)		DIMENSIONS - INCHES			
	AAC	ACSR	A	B	K	T
ACFHV-35-4B	900-1033	795	5	3	1/2	3/4
ACFHV-36-4B	1033.5-1113	954-1033.5	4-1/8	2-1/2	1/2	3/4
ACFHV-39-4B	1100-1272	1033-1113	4-1/8	2-1/2	1/2	3/4
ACFHV-41-4B	1351-1431	1192-1272	4-1/8	2-1/2	1/2	3/4
ACFHV-43-4B	1590	1351-1431	4-1/8	2-1/2	1/2	3/4
ACFHV-46-4B	1750	1590	4-1/4	2-3/4	5/8	3/4
ACFHV-50-4B	2000-2250	2340	6	2-3/4	5/8	7/8
ACFHV-52-4B	2500	2156	6	2-3/4	5/8	1
ACFHV-54-4B	3000	----	6	2-3/4	5/8	1
ACFHV-56-4B	3500	----	6-1/4	3-1/8	5/8	3/4

## TYPE ACF2-HV

Two Cables To Flat  
345kV

Castings: 356-T6 Aluminum  
Clamping Hardware: Aluminum Alloy

NOTE: See hardware shields AA-1094

Type ACF2-HV is designed for corona-free full current service at 345kV and 500kV, as listed below. Cable spacing other than shown in the table may be specified by changing the catalog number suffix. If pad hardware shields are required, add suffix -HS to catalog number. Example: ACF2-HV-39-4B-HS.

