

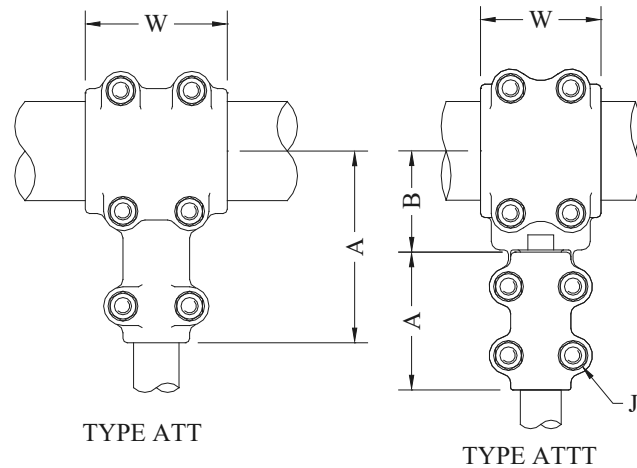
ALUMINUM TEE CONNECTORS

TYPE ATT & ATTT

Straight Bolted
Pipe Main to Pipe Tap

Castings: 356-T6 Aluminum
Hardware: Aluminum Alloy

Aluminum alloy tee for aluminum pipe main to aluminum pipe tap connections. Clamping bolts have hex-stops for one-wrench installation. Contact sealant is recommended.



TYPE ATT

TYPE ATTT

CATALOG NUMBER	CONDUCTOR SIZE (NPS)		DIMENSIONS - INCHES				WEIGHT (POUNDS)
	PIPE MAIN	PIPE TAP	A	B	W	J	
ATT-3030	3/4	3/4	2-13/16	----	2-3/8	1/2	1.45
ATT-3930	1	3/4	3-7/16	----	2-7/8	1/2	1.45
ATT-3939		1	3-7/16	----	3-1/8	1/2	1.95
ATTT-4930	1-1/4	3/4	2-1/2	2	2-3/4	1/2	2.75
ATTT-4939		1	3	2	2-3/4	1/2	3.00
ATTT-4949		1-1/4	3	2-5/16	3	1/2	2.85
ATTT-5330	1-1/2	3/4	2-1/2	2	3-1/8	1/2	3.25
ATTT-5339		1	3	2-1/2	3-1/8	1/2	3.65
ATTT-5349		1-1/4	3	2-1/2	3-1/8	1/2	3.50
ATTT-5353		1-1/2	3-1/8	2-5/8	3-1/8	1/2	3.95
ATTT-5839	2	1	3	2-5/8	3-1/2	1/2	2.90
ATTT-5849		1-1/4	3	2-7/8	3-1/2	1/2	3.40
ATTT-5853		1-1/2	3-1/8	2-5/8	3-1/2	1/2	3.45
ATTT-5858		2	3-1/2	2-15/16	3-1/2	1/2	4.45
ATTT-6039	2-1/2	1	3	3	3-1/2	1/2	4.00
ATTT-6049		1-1/4	3	3	3-1/2	1/2	4.00
ATTT-6053		1-1/2	3-1/8	3	3-1/2	1/2	4.45
ATTT-6058		2	3-1/2	3	3-1/2	1/2	4.15
ATTT-6060		2-1/2	3-1/2	3-1/8	3-1/2	1/2	5.70
ATTT-6239	3	1	3	3-1/8	3	1/2	2.95
ATTT-6249		1-1/4	3	3-1/4	3-1/2	1/2	5.30
ATTT-6253		1-1/2	3-1/8	3-1/4	3-1/2	1/2	5.05
ATTT-6258		2	3-1/2	3-1/2	3-1/2	1/2	5.80
ATTT-6260		2-1/2	3-1/2	3-3/8	3-1/2	1/2	6.05
ATTT-6262		3	4	3-3/4	4	5/8	8.95

* Contact factory for other conductor combinations.

Continued on next page

TYPES ATT & ATTT - CONTINUED

CATALOG NUMBER	CONDUCTOR SIZE (NPS)		DIMENSIONS - INCHES				WEIGHT (POUNDS)
	PIPE MAIN	PIPE TAP	A	B	W	J	
ATTT-6339	3-1/2	1	4-1/2	3-3/8	3-1/4	1/2	5.35
ATTT-6349		1-1/4	3	3-1/2	3-1/4	1/2	4.20
ATTT-6353		1-1/2	3-1/8	3-1/2	3-1/4	1/2	5.75
ATTT-6358		2	3-1/2	3-1/2	3-1/4	1/2	8.00
ATTT-6360		2-1/2	3-1/2	3-1/2	3-1/4	1/2	6.50
ATTT-6362		3	4	4	4-3/8	5/8	9.70
ATTT-6363		3-1/2	4-3/8	4	4-3/8	5/8	11.75
ATTT-6449	4	1-1/4	3	3-3/4	3-1/4	1/2	4.50
ATTT-6453		1-1/2	3-1/8	3-7/8	3-1/4	1/2	5.55
ATTT-6458		2	3-1/2	3-3/4	3-1/4	1/2	5.55
ATTT-6460		2-1/2	3-1/2	3-7/8	3-1/4	1/2	6.05
ATTT-6462		3	4	4-1/8	4-1/2	5/8	10.95
ATTT-6463		3-1/2	4-1/4	4-1/8	4-1/2	5/8	9.25
ATTT-6464		4	4-1/2	4-1/8	4-1/2	5/8	13.50
ATTT-6758	5	2	3-1/2	4-7/16	3-1/2	1/2	7.35
ATTT-6760		2-1/2	3-1/2	4-11/16	3-1/2	1/2	8.80
ATTT-6762		3	4-3/8	4-3/4	6-3/4	5/8	22.75
ATTT-6763		3-1/2	4-3/8	4-3/4	6-3/4	5/8	21.60
ATTT-6764		4	4-1/2	4-9/16	6-3/4	5/8	22.45
ATTT-6767		5	6-3/4	4-1/4	6-3/4	5/8	28.65
ATTT-6958	6	2	4	5	4	1/2	11.50
ATTT-6960		2-1/2	3-1/2	5-7/8	4-1/2	5/8	17.55
ATTT-6962		3	4	5-1/4	4	5/8	17.35
ATTT-6963		3-1/2	4	5-1/4	4	5/8	14.25
ATTT-6964		4	4-1/2	5-1/2	4-1/2	5/8	21.00
ATTT-6967		5	5	5-1/2	7	5/8	16.75
ATTT-6969		6	7	5-1/2	7	5/8	33.90

* Contact factory for other conductor combinations.