

EHV BUS SUPPORTS

ALUMINUM • 345 KV

TYPE AVCHV

Bolted - Single Cable
To Insulator

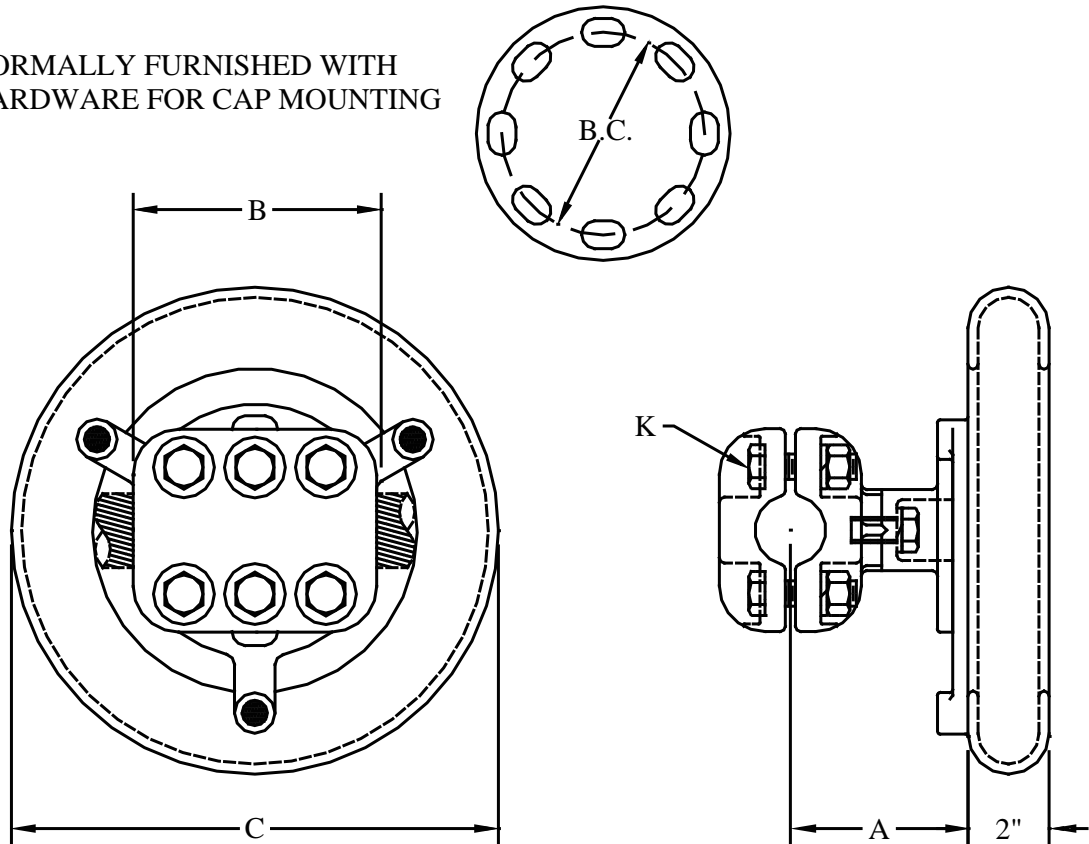
Type AVCHV is designed for corona-free service at 345 KV. Eight-slot base allows in-line or 45° orientation to insulator mounting.

Castings: 356-T6 Aluminum

Clamping Hardware: Aluminum Alloy

Mounting Hardware: Galvanized Steel

NORMALLY FURNISHED WITH
HARDWARE FOR CAP MOUNTING



CATALOG NUMBER	CONDUCTOR DIAMETER	B.C.	DIMENSIONS-INCHES				WEIGHT (POUNDS)
			A	B	C	K	
AVCHV-51-5	1.729 - 1.823	5	4	6	12	5/8	12.25
AVCHV-51-7		7	4	6	14	5/8	13.00
AVCHV-54-5	1.912 - 1.996	5	4	6-1/2	12	5/8	14.00
AVCHV-54-7		7	4	6-1/2	14	5/8	14.75
AVCHV-56-5	2.158	5	4-1/2	6-1/2	12	5/8	14.50
AVCHV-56-7		7	4-1/2	6-1/2	14	5/8	15.25