

EHV BUS SUPPORTS

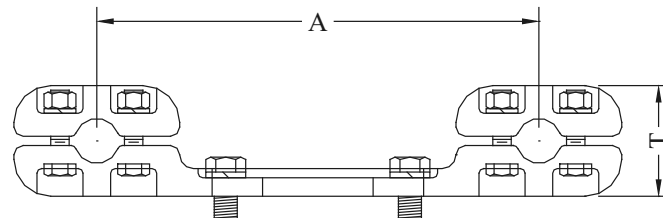
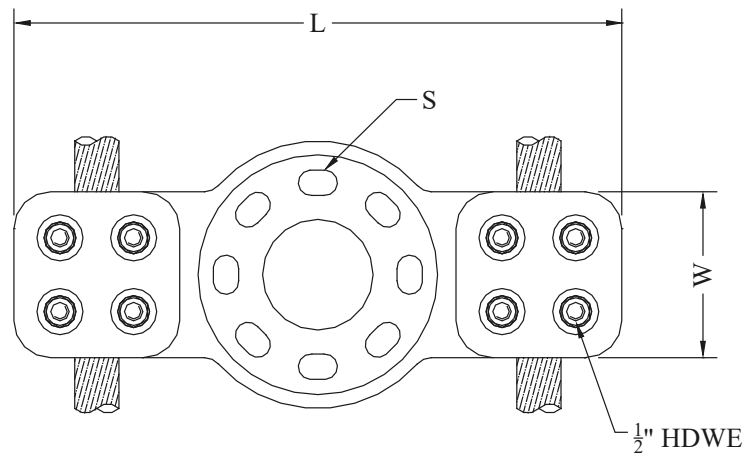
TYPE AVCAD

Bolted - Two Cables
To Insulator

ALUMINUM • 345 KV

Type AVCAD is designed for corona-free service through 345 KV. High-strength design with four clamping bolts per cable resists a differential sag and movement between the sub-conductors.

Castings: 356-T6 Aluminum
Clamping Hardware: Aluminum Alloy
Mounting Hardware: Galvanized Steel



NORMALLY FURNISHED WITH HARDWARE
FOR CAP MOUNTING

CATALOG NUMBER	CONDUCTOR DIAMETER	B.C.	DIMENSIONS-INCHES					WEIGHT (POUNDS)
			A	L	S	T	W	
AVCAD-32-5	1.026 - 1.094	5	12	16-1/4	11/16 x 1	2-3/4	4-1/4	9.75
AVCAD-32-7		7	15	19-1/4	13/16 x 1-1/4	2-3/4	4-1/4	11.25
AVCAD-35-5	1.108 - 1.196	5	12	16-3/8	11/16 x 1	2-7/8	4-1/4	10.00
AVCAD-35-7		7	15	19-3/8	13/16 x 1-1/4	2-7/8	4-1/4	11.50
AVCAD-38-5	1.212 - 1.293	5	12	16-1/2	11/16 x 1	3	4-1/2	10.25
AVCAD-38-7		7	15	19-1/2	13/16 x 1-1/4	3	4-1/2	11.75
AVCAD-41-5	1.300 - 1.382	5	12	16-5/8	11/16 x 1	3-1/8	4-1/2	10.50
AVCAD-41-7		7	15	19-5/8	13/16 x 1-1/4	3-1/8	4-1/2	12.00
AVCAD-43-5	1.385 - 1.465	5	12	16-3/4	11/16 x 1	3-1/4	4-1/2	10.75
AVCAD-43-7		7	15	19-3/4	13/16 x 1-1/4	3-1/4	4-1/2	12.25
AVCAD-46-5	1.466 - 1.545	5	12	17	11/16 x 1	3-3/8	4-1/2	11.00
AVCAD-46-7		7	15	20	13/16 x 1-1/4	3-3/8	4-1/2	12.50