

EHV BUS SUPPORTS

ALUMINUM • 345 - 500 KV

TYPE ASTIHV

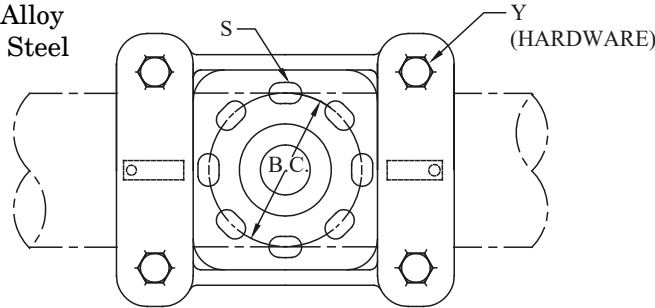
Horizontal Bolted Slid or Rigid
Application Pipe To Insulator

Castings: 356-T6 Aluminum

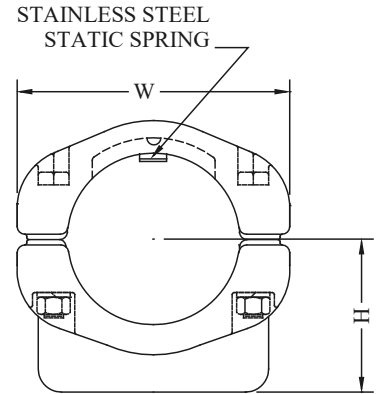
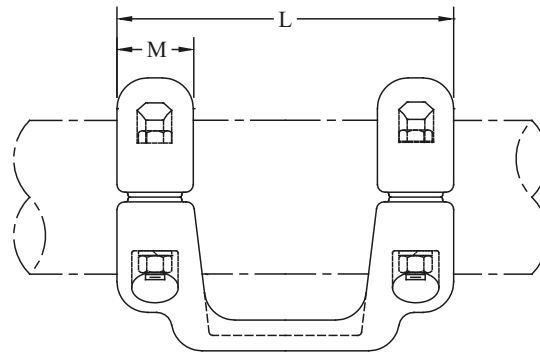
Clamping Hardware: Aluminum Alloy

Mounting Hardware: Galvanized Steel

Type ASTIHV is designed for corona-free service, within the voltage limitations of the bus through 500 KV. Slip or rigid fit is provided by rotating the cap members. Each cap member is provided with a static spring.



MOUNTING SLOTS
NORMALLY FURNISHED WITH HARDWARE
FOR CAP MOUNTING



CATALOG NUMBER	PIPE SIZE (NPS)	B.C.	MAX K.V.	DIMENSIONS-INCHES						WEIGHT (POUNDS)
				H	L	M	S	W	Y	
ASTIHV-58-5	2	5	345	2-3/4	11	2-1/2	11/16 x 1	5-1/2	1/2	10.20
ASTIHV-58-7		7	345	2-3/4	13	2-1/2	13/16 x 1	5-1/2	1/2	11.80
ASTIHV-60-5	2-1/2	5	345	3-1/8	11	2-1/2	11/16 x 1	6-1/2	1/2	11.30
ASTIHV-60-7		7	345	3-1/8	13	2-1/2	13/16 x 1	6-1/2	1/2	12.50
ASTIHV-62-5	3	5	500	3-5/8	11	2-1/2	11/16 x 1	8	5/8	15.15
ASTIHV-62-7		7	500	3-5/8	13	2-1/2	13/16 x 1	9	5/8	16.50
ASTIHV-63-5	3-1/2	5	500	4	11	2-1/2	11/16 x 1	8	5/8	12.80
ASTIHV-63-7		7	500	4	13	2-1/2	13/16 x 1	8	5/8	16.60
ASTIHV-64-5	4	5	500	4-1/2	11	2-1/2	11/16 x 1	8-7/8	5/8	14.50
ASTIHV-64-7		7	500	4-1/2	13	2-1/2	13/16 x 1	8-1/2	5/8	15.30
ASTIHV-67-5	5	5	500	5	11	2-1/2	11/16 x 1	8-7/8	5/8	15.35
ASTIHV-67-7		7	500	5	13	2-1/2	13/16 x 1	8-7/8	5/8	19.05
ASTIHV-69-5	6	5	500	5-1/2	11	2-1/2	11/16 x 1	9-7/8	5/8	15.95
ASTIHV-69-7		7	500	5-1/2	14	2-1/2	13/16 x 1	9-7/8	5/8	22.00