

EHV TERMINALS

ALUMINUM • 345 - 500kV

TYPE WFC3HV

Weldment
Three Cables to Flat

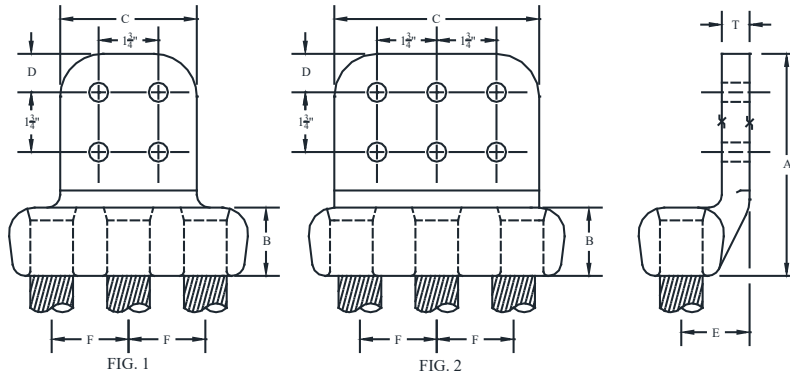
Designed for corona-free service at 345 and 500kV, either singly or paired back-to-back as noted. Pads are finished both sides. One hardware shield is furnished as part of the catalog number. Where an additional shield is required, add suffix (HS) to catalog number. For 90° pad angle, add (90) to the catalog number.

Example: WFC3HV90-52-4B-HS.

Castings: 356-T6 Aluminum

Options: See Page 242

Note: See hardware shield AA-1094 or HS-6B.



CATALOG NUMBER	FIG NO	CONDUCTOR RANGE		DIMENSIONS - INCHES							WEIGHT (POUNDS)
		AAC	ACSR	A	B	C	D	E	F	T	
WFC3HV-36-4B	1	1000 - 1113 MCM	900 - 1033 MCM	6-1/2	2	4	1-1/8	2	2-1/2	7/8	5.425
WFC3HV-36-6B	2			6-1/2	2	6	1-1/8	2	2-1/2	7/8	
WFC3HV-37-4B	1	1113 - 1272 MCM	1033 - 1192 (45/7) MCM	6-1/2	2	4	1-1/8	2	2-1/2	7/8	5.425
WFC3HV-37-6B	2			6-1/2	2	6	1-1/8	2	2-1/2	7/8	
WFC3HV-39-4B	1	1250 - 1351 MCM	1113 - 1192 MCM	6-7/8	2-3/8	4	1-1/8	2-1/8	2-1/8	1	6.125
WFC3HV-39-6B	2			6-7/8	2-3/8	6	1-1/8	2-1/8	2-1/8	7/8	
WFC3HV-41-4B	1	1250 - 1510 MCM	1192 - 1272 MCM	6-7/8	2-3/8	4	1-1/8	2-1/8	2-1/8	1	6.125
WFC3HV-41-6B	2			6-7/8	2-3/8	6	1-1/8	2-1/8	2-1/8	7/8	
WFC3HV-43-4B	1	1590 MCM	1272 MCM	7-1/8	2-1/2	4	1-1/8	2	2	1	5.725
WFC3HV-43-6B	2			7	2-5/8	6	1-1/8	2	2	3/4	
WFC3HV-46-4B	1	1750 MCM	1590 MCM	7-1/8	2-3/4	4	1-1/8	2-1/16	2-1/4	1	8.125
WFC3HV-46-6B	2			7-1/8	2-3/4	6	1-1/8	2-1/16	2-1/4	1	
WFC3HV-49-4B	1	2000 MCM	1780 - 2034 MCM	7-1/8	2-3/4	4	1-1/8	3	3	1-1/2	8.125
WFC3HV-49-6B	2			7-1/8	2-3/4	6	1-1/8	2-1/16	2-1/4	1	
WFC3HV-51-4B	1	2250 - 2303 MCM	2156 MCM	7-1/8	2-3/4	4	1-1/8	3-1/8	3	1-1/4	9.300
WFC3HV-51-6B	2			7-1/8	2-3/4	6	1-1/8	2-1/16	2-1/4	1	
WFC3HV-52-4B	1	2500 MCM	2312 MCM	7-1/8	2-3/4	4	1-1/8	3-1/8	3	1-1/4	9.300
WFC3HV-52-6B	2			7-1/8	2-3/4	6	1-1/8	2-1/16	3	1-1/4	
WFC3HV-56-4B	1	3500 MCM	----	7-1/2	3	4	1-1/8	3	3	1-1/4	9.300
WFC3HV-56-6B	2			7-1/2	3	6	1-1/8	2-1/16	3	1-1/4	