

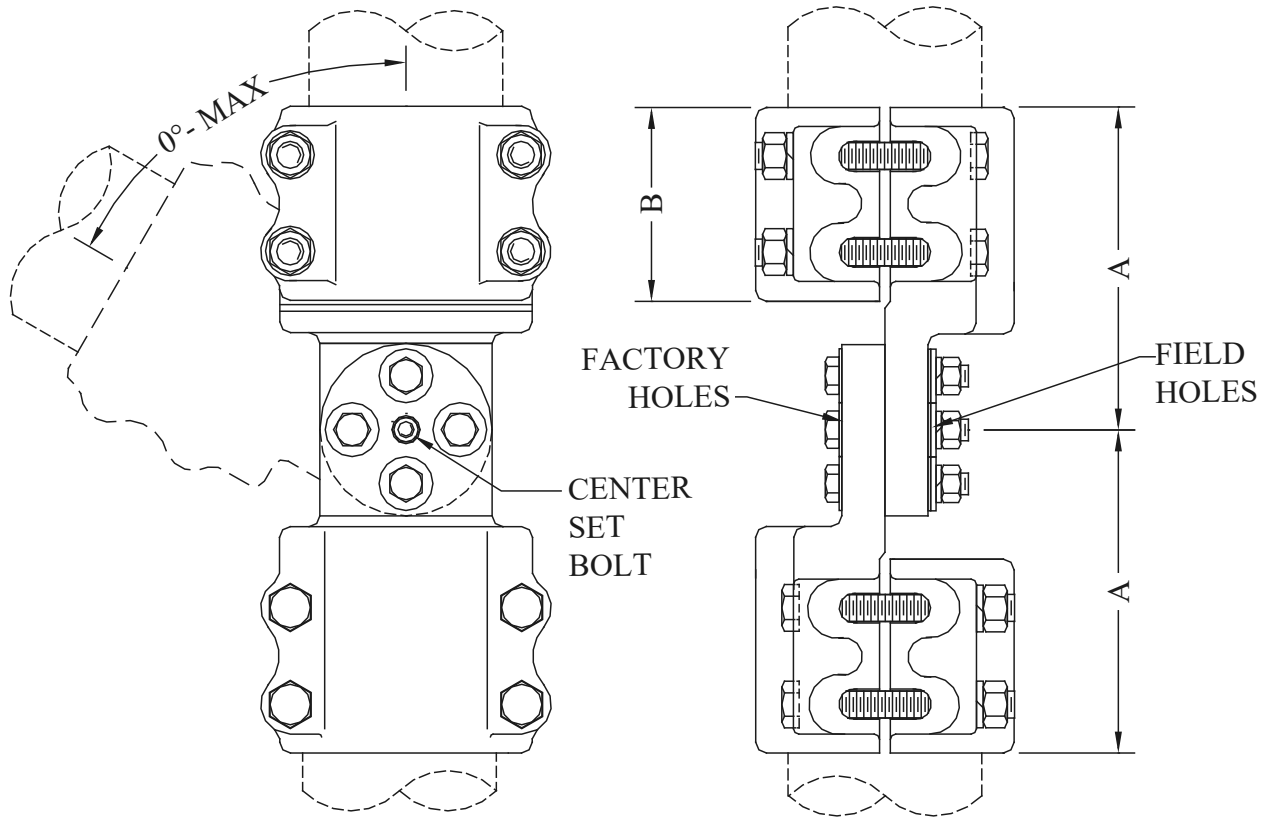
ALUMINUM COUPLERS

TYPE ALB-V

Bolted Variable Angle Coupler
Pipe To Pipe

Aluminum alloy bolted variable angle coupler for connecting two aluminum pipes at field set angles.
Contact surfaces are finished and coated with a sealant prior to packaging for shipment.

Castings: 356-T6 Aluminum
Hardware: Aluminum Alloy



CATALOG NUMBER	PIPE SIZE (NPS)	MAX ANGLE	DIMENSION-INCHES		WEIGHT (POUNDS)
			A	B	
ALB-V-3030	3/4	90	5	2-3/8	4.20
ALB-V-3939	1	90	5-5/8	3	4.90
ALB-V-4949	1-1/4	90	5-1/2	3	5.30
ALB-V-5353	1-1/2	90	5-3/4	3-1/8	6.60
ALB-V-5858	2	90	6-1/8	3-1/2	6.80
ALB-V-6060	2-1/2	90	6-3/8	3-1/2	7.30
ALB-V-6262	3	90	7-1/8	4	13.10
ALB-V-6363	3-1/2	90	7-1/4	4-3/8	15.60
ALB-V-6464	4	90	7-1/2	4-1/2	17.60
ALB-V-6767*	5	85	10-1/2	7	31.20
ALB-V-6969*	6	75	10-3/8	7	33.00

*SIX CLAMPING BOLTS PER CAP