

EHV BUS SUPPORTS

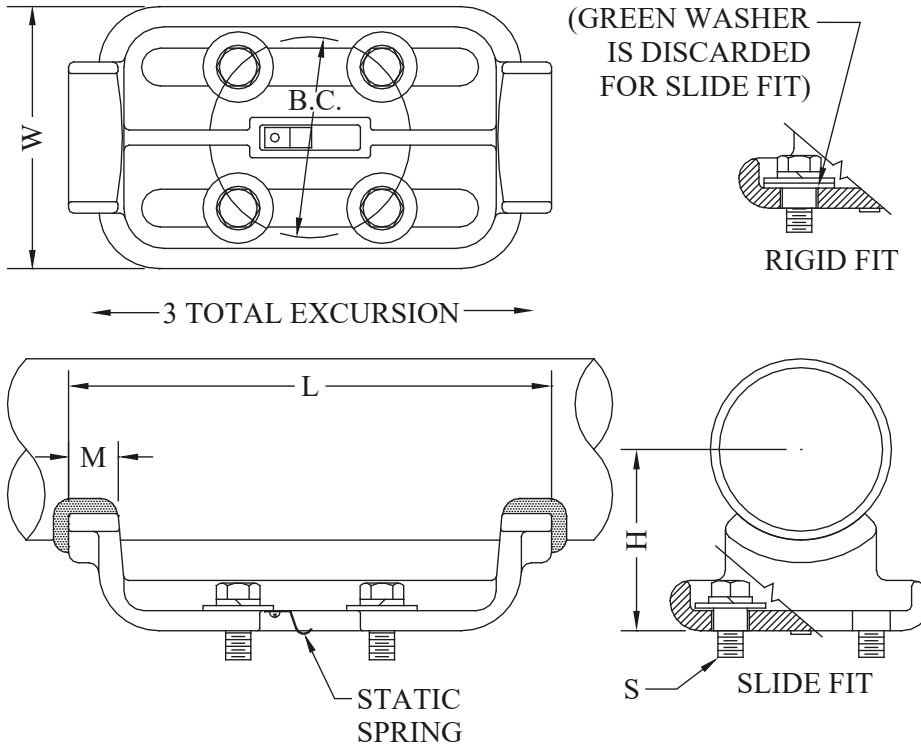
ALUMINUM • 345 - 500 KV

TYPE WSTIHV

Slide or Rigid Weldment
Pipe To Insulator

Type WSTIHV is a low-profile bus support that may be applied as a rigid or slide fitting. Sliding action occurs between the base of the fitting and the insulator cap, instead of between bus and fitting. A disposable washer converts mounting hardware from rigid to slide fit. EHV ratings are shown in the table below.

Castings: 356-T6 Aluminum
Static Spring: Stainless Steel
Mounting Hardware: Galvanized Steel



| CATALOG NUMBER | PIPE SIZE (NPS) | B.C. | MAX KV | DIMENSIONS-INCHES | | | | | WEIGHT (POUNDS) |
|----------------|-----------------|------|--------|-------------------|--------|-------|-----|-------|-----------------|
| | | | | H | L | M | S | W | |
| WSTIHV-58-5 | 2 | 5 | 345 | 2-3/4 | 11-1/2 | 1-1/8 | 5/8 | 6 | 3.00 |
| WSTIHV-58-7 | | 7 | 345 | 2-3/4 | 14 | 1-3/4 | 3/4 | 8-1/2 | 10.20 |
| WSTIHV-60-5 | 2-1/2 | 5 | 345 | 3-1/8 | 11-1/2 | 1-1/8 | 5/8 | 6-1/4 | 3.65 |
| WSTIHV-60-7 | | 7 | 345 | 3-1/8 | 14 | 1-3/4 | 3/4 | 8-3/4 | 11.50 |
| WSTIHV-62-5 | 3 | 5 | 500 | 3-5/8 | 11-3/4 | 1-1/8 | 5/8 | 6-1/2 | 5.65 |
| WSTIHV-62-7 | | 7 | 500 | 3-5/8 | 14-1/2 | 1-3/4 | 3/4 | 9 | 12.65 |
| WSTIHV-63-5 | 3-1/2 | 5 | 500 | 4 | 12 | 1-1/4 | 5/8 | 6-1/2 | 5.65 |
| WSTIHV-63-7 | | 7 | 500 | 4 | 15-1/2 | 2 | 3/4 | 9 | 12.65 |
| WSTIHV-64-5 | 4 | 5 | 500 | 4-1/2 | 12 | 1-1/4 | 5/8 | 6-1/2 | 5.65 |
| WSTIHV-64-7 | | 7 | 500 | 4-1/2 | 15-1/2 | 2 | 3/4 | 9 | 12.65 |
| WSTIHV-67-5 | 5 | 5 | 500 | 5 | 12 | 1-1/4 | 5/8 | 6-1/2 | 5.65 |
| WSTIHV-67-7 | | 7 | 500 | 5 | 15-1/2 | 2 | 3/4 | 9 | 12.55 |
| WSTIHV-69-5 | 6 | 5 | 500 | 5-1/2 | 12 | 1-1/4 | 5/8 | 6-1/2 | 5.90 |
| WSTIHV-69-7 | | 7 | 500 | 5-1/2 | 15-1/2 | 2 | 3/4 | 9 | 12.65 |