

ALUMINUM BUS SUPPORTS

TYPE ASTI-R

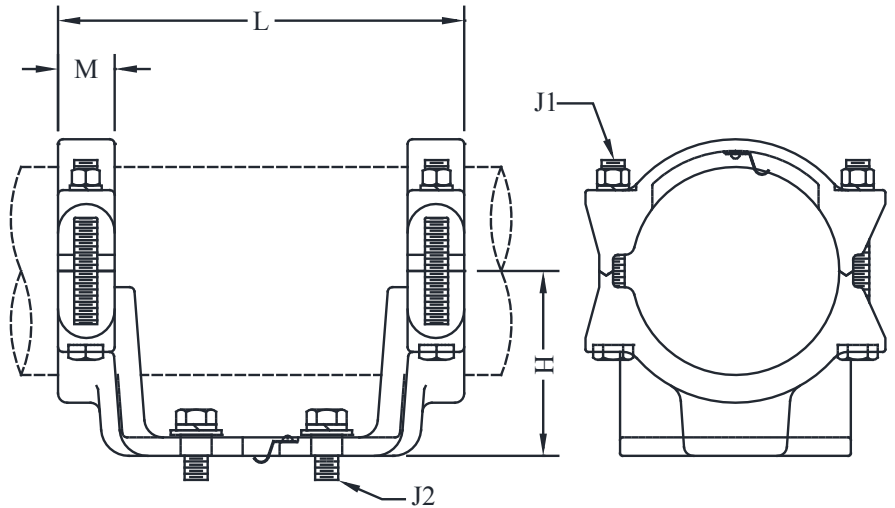
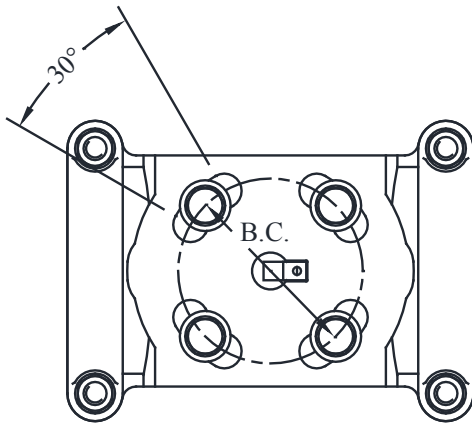
Horizontal Bolted Rotational Support
Pipe to Insulator

Castings: 356-T6 Aluminum
Clamping Hardware: Aluminum Alloy
Mounting Hardware: Galvanized Steel

Type ASTI-R is an aluminum alloy bus support for aluminum pipe. The $\pm 15^\circ$ rotational feature greatly reduces torsional forces during fault conditions. Slip or rigid fit is provided by rotating the cap members. Each cap member is provided with a static spring.

Hardware supplied for CAP mounting. For PIN mounting, add suffix(P) to catalog number. Example: ASTI-R-63-3P

Other insulator mounting arrangements are available. Consult the factory for more information.



CATALOG NUMBER	PIPE SIZE (NPS)	B.C.	DIMENSIONS-INCHES					WEIGHT (POUNDS)
			H	L	M	J1	J2	
ASTI-R-62-3	3	3	3 5/8	8 1/2	1 1/2	5/8	1/2	6.60
ASTI-R-62-5		5	3 5/8	9 3/4	1 1/2	5/8	5/8	7.40
ASTI-R-63-3	3 1/2	3	4	8 1/4	1 1/2	5/8	1/2	6.40
ASTI-R-63-5		5	4	9 3/4	1 1/2	5/8	5/8	7.40
ASTI-R-63-7		7	4	12 1/2	1 1/2	5/8	3/4	11.74
ASTI-R-64-3	4	3	4 1/2	8 1/2	1 1/2	5/8	1/2	7.16
ASTI-R-64-5		5	4 1/2	10	1 1/2	5/8	5/8	8.16
ASTI-R-64-7		7	4 1/2	12	1 1/2	5/8	3/4	12.49
ASTI-R-67-5	5	5	5	10	1 1/2	5/8	5/8	9.91
ASTI-R-67-7		7	5	12	1 1/2	5/8	3/4	15.24
ASTI-R-69-5	6	5	5 1/2	10 1/4	1 3/4	5/8	5/8	14.65
ASTI-R-69-7		7	5 1/2	12 1/4	1 3/4	5/8	3/4	17.54
ASTI-R-71-7	8	7	7	14	2	3/4	3/4	28.56