

EHV BUS SUPPORTS

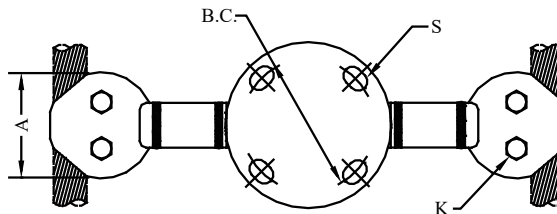
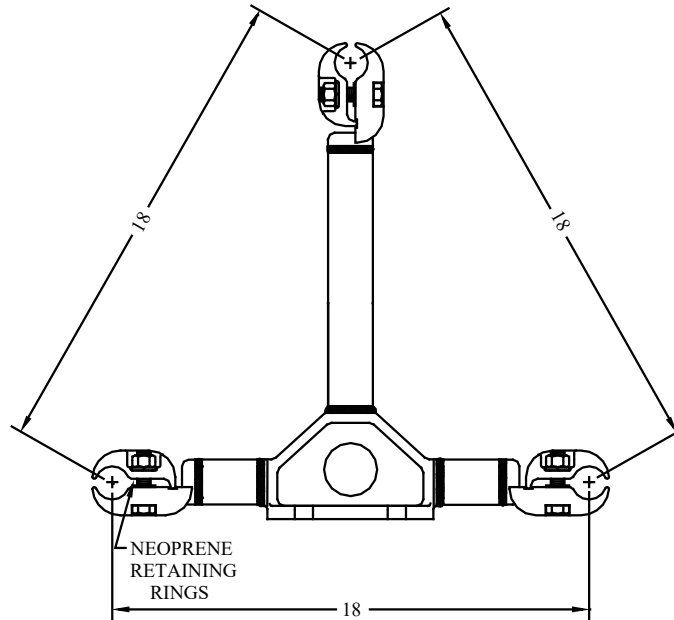
TYPE ASCA3

Bolted - Three Cable
To Insulator

Castings: 356-T6 Aluminum
Tubular Arms: 6061-T6 Aluminum
Mounting Hardware: Galvanized Steel

ALUMINUM • 345 - 500 KV

Type ASCA3 is designed for corona-free service through 500 KV. Independent subconductor clamping on tubular support arms increases shock-absorbing capabilities under severe vibration conditions. Subconductor spacing other than the 18-inches shown is available when specified.



NORMALLY SUPPLIED WITH
HARDWARE
FOR CAP MOUNTING

CATALOG NUMBER	CONDUCTOR DIAMETER	B.C.	DIMENSIONS-INCHES			WEIGHT (POUNDS)
			A	K	S	
ASCA3-35-5	1.108 - 1.196	5	4	1/2	11/16 x 1	6.75
ASCA3-38-5	1.212 - 1.293	5	4	1/2	11/16 x 1	7.00
ASCA3-41-5	1.300 - 1.382	5	4	1/2	11/16 x 1	7.25
ASCA3-41-7	1.300 - 1.382	7	4	1/2	13/16 x 1-1/4	7.75
ASCA3-43-5	1.385 - 1.465	5	4	1/2	11/16 x 1	7.50
ASCA3-43-7	1.385 - 1.465	7	4	1/2	13/16 x 1-1/4	8.00
ASCA3-46-5	1.466 - 1.545	5	4	1/2	11/16 x 1	8.25
ASCA3-46-7	1.466 - 1.545	7	4	1/2	13/16 x 1-1/4	8.75
ASCA3-48-5	1.602 - 1.630	5	4	1/2	11/16 x 1	8.50
ASCA3-48-7	1.602 - 1.630	7	4	1/2	13/16 x 1-1/4	9.00
ASCA3-51-5	1.729 - 1.823	5	4-3/8	5/8	11/16 x 1	8.75
ASCA3-51-7	1.729 - 1.823	7	4-3/8	5/8	13/16 x 1-1/4	9.25
ASCA3-54-5	1.912 - 1.996	5	4-3/8	5/8	11/16 x 1	9.00
ASCA3-54-7	1.912 - 1.996	7	4-3/8	5/8	13/16 x 1-1/4	9.50