

COMPRESSION CONNECTORS

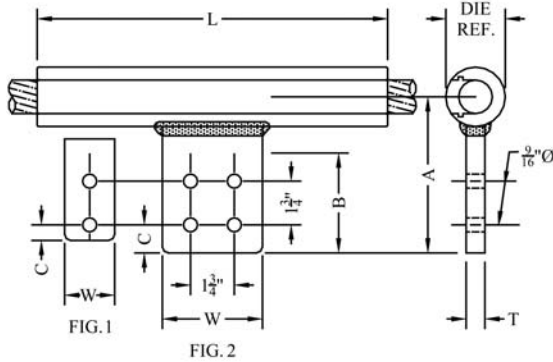
TYPE ATCF

Circular Die
Compression Tee
Aluminum Cable to Flat

Pure aluminum compression tee for aluminum cable to flat NEMA pad. Tees are for use with circular dies only and should not be used with hex dies.

Contact sealant is factory applied to the barrel and the connector is sealed in a clear plastic bag.

For connecting to a copper pad, connection may be made direct, using contact sealant. If an AL/CU transition plate is preferred, add suffix (-TTP) to the catalog number.



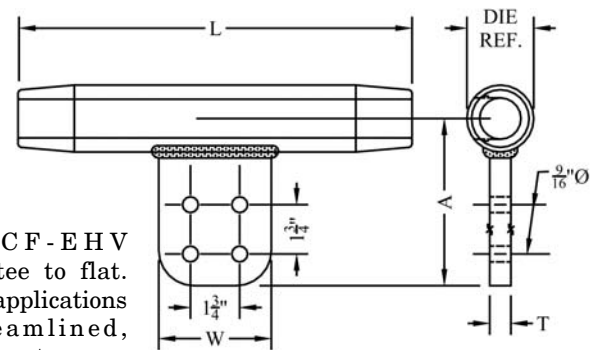
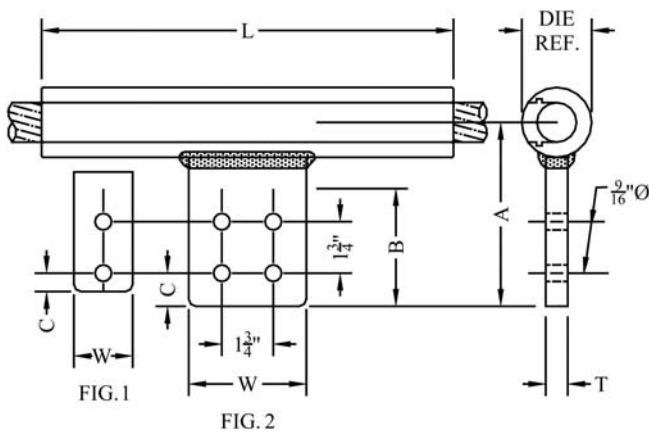
CATALOG NUMBER	FIG. NO.	CONDUCTOR SIZE (MCM)		DIE REF	DIMENSION-INCHES						WEIGHT (POUNDS)
		AAC	ACSR		A	B	C	L	T	W	
ATCF-70-2B	1	300	266.8 (18/1,24/7,26/7)	07 CD	4-9/16	3-1/4	5/8	9-5/8	3/8	2	0.75
ATCF-70-4A	2	336.4 350	300 (18/1) 336.4 (36/1)		4-9/16	3-1/4	5/8	11	3/8	3	0.95
ATCF-80-2B	1	397.5	336.4 (18/1,26/7)	08 CD	4-5/8	3-1/4	5/8	9-5/8	3/8	2	0.90
ATCF-80-4A	2	400	397.5 (36/1,18/1)		4-5/8	3-1/4	5/8	10-5/8	3/8	3	1.10
ATCF-90-2B	1	450	336.4 (30/7)	09 CD	4-1/2	3-1/4	5/8	9	3/8	2	1.00
ATCF-90-4A	2	477	397.5 (24/7,26/7,30/7)		4-7/8	3-1/4	5/8	10-3/4	3/8	3	1.25
ATCF-90-4B	2	500	477 (36/1,18/1,24/7)		5-11/16	4	1-1/8	12	3/8	4	1.65
ATCF-100-2B	1	556.5 636 650	477 (26/7)	10 CD	4-3/4	3-1/4	5/8	10	1/2	2	1.35
ATCF-100-4A	2		556.5 (18/1,36/1) 556.5 (24/7,26/7)		4-3/4	3	5/8	11	1/2	3	1.60
ATCF-100-4B	2		605 (36/1) 636 (18/1,36/1)		5-7/8	4-1/4	1-1/8	12-1/2	1/2	4	2.20
ATCF-110-2B	1	700 715 750 795	477 (30/7)	11 CD	5	3-1/4	5/8	11-1/2	5/8	2	1.35
ATCF-110-4A	2		556.5 (30/7) 605 (24/7,26/7)		5-1/16	4-1/4	5/8	12-1/2	5/8	3	2.00
ATCF-110-4B	2		636 (24/7,26/7,30/19) 666.6 (24/7,36/1) 715.5 (54/7,36/1) 795 (36/1)		5-13/16	4-1/2	1-1/8	12-1/2	5/8	4	2.60
ATCF-120-4A	2	874.5 900 927.2 954	605 (30/19)	12 CD	5	3	5/8	11-1/2	1/2	3	2.15
ATCF-120-4B	2		715.5 (26/7) 795 (20/7,22/7) 795 (24/7,26/7)		6	4-1/4	1-1/8	12-1/2	5/8	4	2.90
			795 (45/7,54/7) 874.5 (54/7) 900 (45/7) 954 (36/1)								

Continued on next page

COMPRESSION CONNECTORS

TYPE ATCF CONTINUED

TYPE ATCF-EHV



Type ATCF-EHV compression tee to flat. Used for EHV applications where streamlined, tapered connector are needed for corona free service. Add "EHV" to standard catalog number.
EX: ATCF-1031-4B-EHV

CATALOG NUMBER	FIG. NO.	CONDUCTOR SIZE (MCM)		DIE REF	DIMENSION-INCHES						WEIGHT (POUNDS)
		AAC	ACSR		A	B	C	L	T	W	
ATCF-130-4A	2		715.5 (30/19)	13CD	5	3	5/8	13	5/8	3	3.15
ATCF-130-4B	2	1000	795 (30/19)		6	4-1/4	1-1/8	14	1/2	4	3.80
		1033	900 (54/7)								
		1113	954 (45/7,54/7)								
ATCF-140-4A	2		1033 (54/7)	14CD	5-1/4	3	5/8	14	5/8	3	3.65
ATCF-140-4B	2	1192	1113		5-13/16	3-1/4	1-1/8	15	1/2	4	4.00
		1250	(45/7,54/19)								
		1272	1192 (45/7)								
ATCF-150-4A	2		1192 (54/19)	15CD	5-1/8	3	5/8	13-3/4	3/4	3	3.80
ATCF-150-4B	2	1351	1272		6-1/8	4	1-1/8	14-3/4	3/4	4	4.60
		1431	(45/7,54/19)								
		1510	1351								
			(45/7,54/19)								
ATCF-160-4A	2		1431	16CD	4-7/8	3-1/2	5/8	13	3/4	3	4.15
ATCF-160-4B	2	1590	(45/7,54/19)		5-7/8	4-1/4	1-1/8	15	3/4	4	5.20
		1700	1510								
			(45/7,54/19)								
			1590 (45/7)								
ATCF-170-4B	2	1800	1590 (54/19)	17CD	6-1/4	4-1/4	1-1/8	15	3/4	4	5.45
			1780 (84/19)								
ATCF-180-4B	2	2000	2156 (84/19)	18CD	6-1/4	4-1/4	1-1/8	15	3/4	4	5.50
ATCF-190-4B	2	2250	2167 (72/7)	19CD	6-1/4	4-1/4	1-1/8	15	3/4	4	6.85
			2306 (76/19)								
			2312 (76/19)								
ATCF-200-4B	2	2500	2515 (76/19)	20CD	7	4-1/4	1-1/8	16	3/4	4	8.00