

EHV BUS SUPPORTS

ALUMINUM • 345 - 500 KV

TYPE ARTIHV

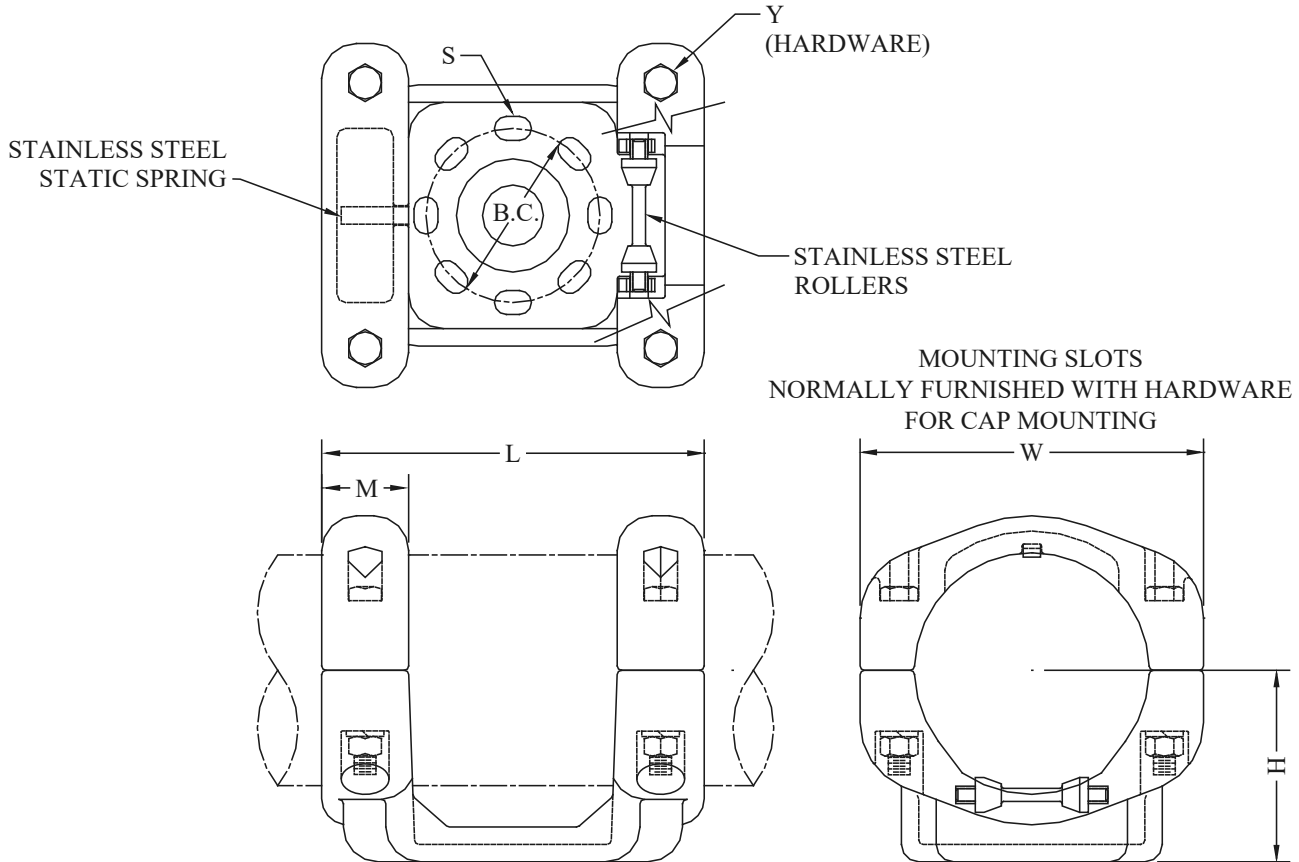
Horizontal Bolted Roller Support
Pipe To Insulator

Type ARTIHV is designed for low-friction slide operation at voltages through 500 KV. Tapered rollers provide four-point support for the tubular bus. This style is especially recommended for applications where the supported bus weight exceeds 400 pounds.

Castings: 356-T6 Aluminum

Clamping Hardware: Aluminum Alloy

Mounting Hardware: Galvanized Steel



CATALOG NUMBER	PIPE SIZE (NPS)	B.C.	DIMENSIONS-INCHES						WEIGHT (POUNDS)
			H	L	M	S	W	Y	
ARTIHV-67-5	5	5	5	12	2-1/2	11/16 x 1-1/16	9	5/8	17.45
ARTIHV-67-7		7	5	14-1/4	2-1/2	13/16 x 1-3/16	9	5/8	17.80
ARTIHV-69-5	6	5	5-1/2	11	2-1/2	11/16 x 1-1/16	9-7/8	5/8	20.95
ARTIHV-69-7		7	5-1/2	14-1/4	2-1/2	13/16 x 1-3/8	9-7/8	5/8	21.25
ARTIHV-70-5	8 O.D.	5	6-1/2	12	3	11/16 x 1-1/16	12-1/2	3/4	39.65
ARTIHV-70-7		7	6-1/2	16	3	13/16 x 1-1/4	12-1/2	3/4	43.00
ARTIHV-71-5	8	5	7	14	3	11/16 x 1	12-1/2	3/4	30.00
ARTIHV-71-7		7	7	16	3	13/16 x 1-1/4	12-1/2	3/4	33.90