

GROUND CONNECTORS

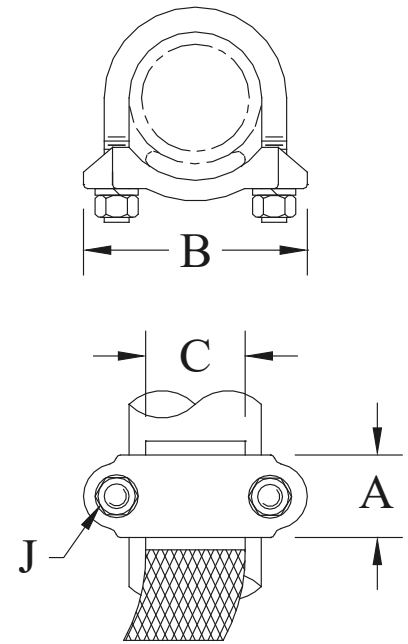
TYPE GBR

Flexible Braid
Parallel to Pipe

Castings: Electrical Bronze
Hardware: Silicon Bronze

All - bronze connector for clamping a Type XBG flexible copper grounding braid to N.P.S. or O.D. fence post. Used for grounding switch operating pipes and gate frames.

CATALOG NUMBER	PIPE SIZE		DIMENSIONS - INCHES				WEIGHT (POUNDS)
	(NPS)	(O.D.)	A	B	C	J	
GBR-30	3/4	1	1-1/4	2-3/8	1	3/8	0.45
GBR-39	1	1-1/4	1-1/2	2-5/8	1-1/8	3/8	0.60
GBR-49	1-1/4	1-1/2	1-1/4	3	1-1/8	3/8	0.60
GBR-54	1-1/2	2	1-1/4	3-3/8	1-3/8	3/8	0.90
GBR-58	2	-	1-3/8	3-5/8	1-1/2	3/8	1.05
GBR-59	-	2-1/2	2	3-7/8	1-3/4	3/8	1.15
GBR-61	2-1/2	3	2	4-11/16	2-1/2	1/2	1.60
GBR-62	3	3-1/2	2	5-3/16	2-1/2	1/2	1.65
GBR-63	3-1/2	4	2-1/4	5-9/16	3	1/2	2.25
GBR-64	4	-	2-1/2	6-3/8	1-3/8	1/2	2.25
GBR-69	6	6-7/8	2-1/2	8-3/8	1-3/4	1/2	2.90



TYPE OCS

Single Cable to H-Section
Fence Post
Parallel or 90°

Castings: Electrical Bronze
Hardware: Silicon Bronze

All - bronze ground clamp for clamping a single cable parallel or 90° to H-section fence post.

CATALOG NUMBER	POST SIZE (A x B)	CABLE RANGE	C	J	WEIGHT (POUNDS)
OCS-A48	1-3/8 x 1-1/2	#4 SOL - 2/0 STR	1-7/8	3/8	1.10
OCS-A51	1-3/8 x 1-1/2	2/0 SOL - 250 MCM	2-1/8	3/8	0.75
OCS-B48	2 x 2	#4 SOL - 2/0 STR	1-7/8	3/8	1.40
OCS-C48	2 x 2-1/4	#4 SOL - 2/0 STR	1-7/8	3/8	1.30
OCS-C51	2-1/4 x 2-1/4	2/0 SOL - 250 MCM	2-1/8	3/8	2.00
OCS-C56	2 x 2-1/4	300 - 500 MCM	2-5/8	3/8	2.35
OCS-D51	2 x 2-1/2	2/0 SOL - 250 MCM	2-1/8	3/8	2.20

