

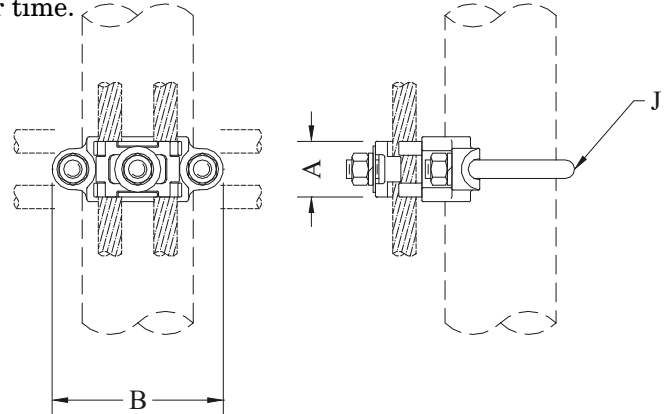
# GROUND CONNECTORS

## TYPE GUR

One or Two Cables  
Parallel or 90° to Pipe

Castings: Electrical Bronze  
Hardware: Silicon Bronze

A universal type all-bronze ground connector for either one or two copper cables parallel or 90° to NPS or OD post.  
The three-piece design allows for the connector to be firmly bolted to the post without having to connect the copper cables. The copper cables can then be firmly bolted at a later time.



CATALOG NUMBER	PIPE SIZE		CONDUCTOR RANGE		DIMENSIONS - INCHES			WEIGHT (POUNDS)
	(NPS)	(O.D.)	MINIMUM	MAXIMUM	A (MAX)	B	J	
GUR-5804	2	2-1/2	#8 SOL	#4 STR	1-3/4	4-1/8	1/2	2.20
GUR-5809			#4 SOL	2/0 STR				2.20
GUR-5814			#4 SOL	300 MCM				2.55
GUR-5820			#2 STR	500 MCM				3.00
GUR-6004	2-1/2	3	#8 SOL	#4 STR	1-3/4	4-5/8	1/2	2.45
GUR-6009			#4 SOL	2/0 STR				2.55
GUR-6014			#4 SOL	300 MCM				2.85
GUR-6020			#2 STR	500 MCM				3.30
GUR-6204	3	3-1/2	#8 SOL	#4 STR	1-3/4	5-9/32	1/2	2.80
GUR-6209			#4 SOL	2/0 STR				2.90
GUR-6214			#4 SOL	300 MCM				3.20
GUR-6220			#2 STR	500 MCM				3.65
GUR-6304	3-1/2	4	#8 SOL	#4 STR	1-3/4	5-11/16	1/2	3.10
GUR-6309			#4 SOL	2/0 STR				3.20
GUR-6314			#4 SOL	300 MCM				3.50
GUR-6320			#2 STR	500 MCM				3.95
GUR-6404	4	4-1/2	#8 SOL	#4 STR	1-3/4	6-1/4	1/2	3.35
GUR-6409			#4 SOL	2/0 STR				3.50
GUR-6414			#4 SOL	300 MCM				3.80
GUR-6420			#2 STR	500 MCM				4.20
GUR-6704	5	5-1/2	#8 SOL	#4 STR	2	6-7/8	1/2	3.70
GUR-6709			#4 SOL	2/0 STR				3.80
GUR-6714			#4 SOL	300 MCM				3.60
GUR-6720			#2 STR	500 MCM				4.60
GUR-6904	6	6-5/8	#8 SOL	#4 STR	2	8-3/8	1/2	3.90
GUR-6909			#4 SOL	2/0 STR				4.00
GUR-6914			#4 SOL	300 MCM				4.35
GUR-6920			#2 STR	500 MCM				4.80