

GROUND CONNECTORS

TYPE GU1

One or Two Cables
Parallel or 90° to Pipe

Castings: Electrical bronze
Hardware: Silicon Bronze

NOTE: CATALOG NUMBERS:

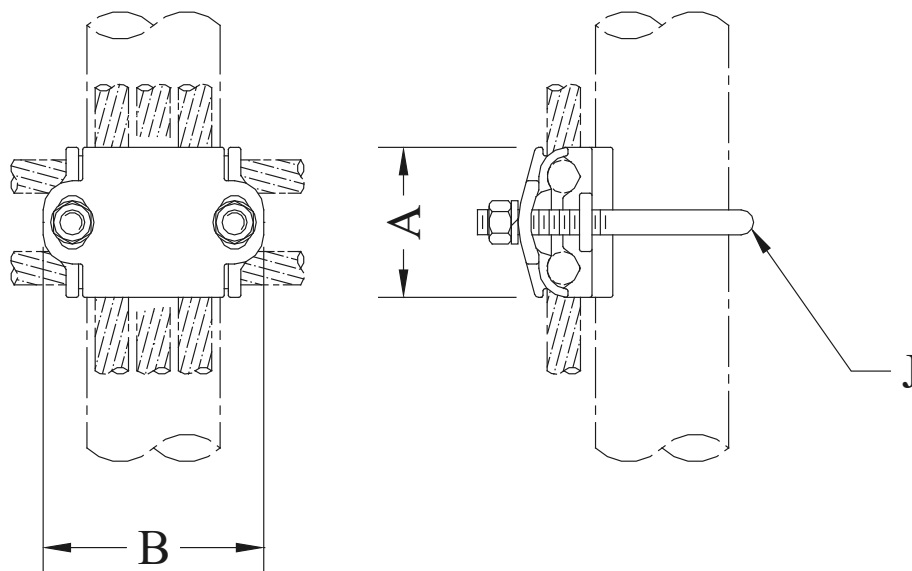
GU1-3912
GU1-4912
GU1-5412
GU1-5812
GU1-6012
GU1-6212
GU1-6312

WILL ACCOMODATE THREE
EQUAL SIZE CONDUCTORS
PARALLEL TO ROD OR PIPE.

A more universal type all-bronze ground connector for either one or two copper cables parallel or 90° to NPS or OD post.

The 90° position accommodates two cables of unequal size within the range listed. Sizes indicated by (*) will also accommodate a Type XBG gate-grounding strap under the connector saddle.

Note: Catalog numbers GU1-1809 and GU1-1812 will accommodate only one cable in the parallel position.



CATALOG NUMBER	PIPE SIZE		CONDUCTOR RANGE		DIMENSIONS - INCHES			WEIGHT (POUNDS)
	(NPS)	(O.D.)	MINIMUM	MAXIMUM	A (MAX)	B	J	
GU1-1809	3/8	1/2 - 3/4	#4 SOL	2/0 STR	1-5/8	2-1/8	3/8	0.90
GU1-1812			#2 SOL	250 MCM	2-1/2	2-1/8	3/8	1.25
GU1-3909	1	1-1/4	#4 SOL	2/0 STR	1-5/8	2-5/8	3/8	1.20
GU1-3912			2/0 SOL	250 MCM	2-1/4	2-5/8	3/8	1.75
GU1-4909	1-1/4	1-5/8	#4 SOL	2/0 STR	1-5/8	3	3/8	1.25
GU1-4912			#2 SOL	250 MCM	2-1/2	3	3/8	1.80
GU1-5409	1-1/2	2	#4 SOL	2/0 STR	1-5/8	3-5/16	3/8	1.65
GU1-5412			#2 SOL	250 MCM	2-1/4	3-5/16	3/8	1.80
GU1-5809	2	2-1/2	#4 SOL	2/0 STR	1-5/8	3-13/16	3/8	1.90
GU1-5812			#2 SOL	250 MCM	2-1/4	3-3/4	3/8	1.55
GU1-6009*	2-1/2	3	#4 SOL	2/0 STR	1-5/8	4-5/16	3/8	1.95
GU1-6012*			#2 SOL	250 MCM	2-1/2	4-1/4	3/8	2.40
GU1-6209*	3	3-1/2	#4 SOL	2/0 STR	1-5/8	4-3/4	3/8	1.60
GU1-6212*			#2 SOL	250 MCM	2-1/2	4-13/16	3/8	2.55
GU1-6309*	3-1/2	4	#4 SOL	2/0 STR	1-5/8	5-5/16	3/8	2.25
GU1-6312*			#4 SOL	250 MCM	2-1/4	5-5/16	3/8	2.95