

GROUND CONNECTORS

TYPE GTT2

One or Two Cables to Flat
Two-Bolt Type

A two-bolt ground connector for two cables of equal or unequal diameters to flat copper or galvanized surface.

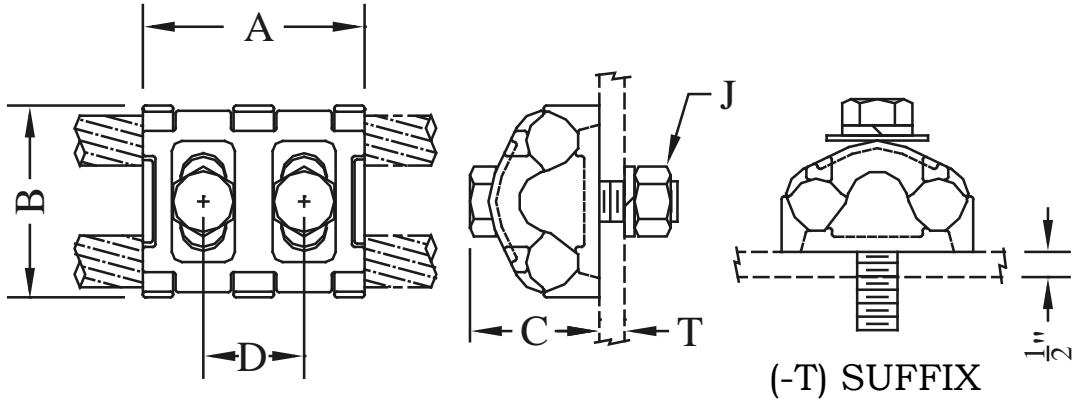
For T dimension greater than shown, add required thickness to catalog number.

Example: GTT2-14-1/2.

Also available with stainless steel bolts and flatwashers for use in tapped holes having class 2 fit. Add suffix (-T) to catalog number.

Castings: Electrical Bronze

Hardware: Silicon Bronze / Galvanized Steel



CATALOG NUMBER		CONDUCTOR RANGE	DIMENSIONS - INCHES						WEIGHT (POUNDS)
HARDWARE			A	B	C	D	J	T	
GALVANIZED	SILICON BRONZE								
GTT2-14	GTT2-14-B	#4 SOL-300 MCM	2-3/4	2-3/8	1-5/8	1-1/4	1/2	5/16	1.40
GTT2-14-N	GTT2-14-N-B	#4 SOL-300 MCM	3-1/4	2-3/8	1-5/8	1-3/4	1/2	5/16	1.50
GTT2-20	GTT2-20-B	300 - 500 MCM	2-3/4	2-7/8	1-3/4	1-1/4	1/2	1/2	1.90
GTT2-20-N	GTT2-20-N-B	1/0 SOL-500 MCM	3-1/4	2-3/4	1-3/4	1-3/4	1/2	1/2	3.45

TYPE GLT-12

Equipment Grounding Terminal

A through-type grounding terminal for apparatus grounding pads having tapped holes on a NEMA 2-hole pattern. Connector allows continuity of the ground conductor where required.

Conductor sizes: #6 STR. through 250 MCM.

Castings: Electrical Bronze

Hardware: Silicon Bronze / Galvanized Steel

