

GROUND CONNECTORS

TYPE GTC

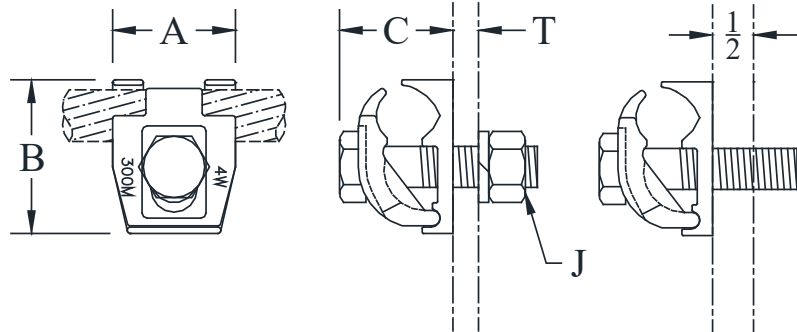
Single Cable to Flat
Two-Piece Clamp

A two-piece ground connector for single cable to flat copper or galvanized steel surface, available with silicon bronze or galvanized steel hardware. For T dimension greater than shown, add required thickness as suffix to catalog number.

Example: GTC-14-1/2.

Also available with stainless steel bolt and flat washer for use in tapped holes having class 2 fit. Add suffix (-T) to catalog number.

Castings: Electrical Bronze
Hardware: Silicon Bronze / Galvanized Steel



* Uses galvanized steel carriage bolt

CATALOG NUMBER		CONDUCTOR RANGE	DIMENSIONS - INCHES					WEIGHT (POUNDS)
HARDWARE			A	B	C	J	T	
GALVANIZED	SILICON BRONZE							
GTC-04	GTC-04B	#8 SOL - #4 STR	1	1-1/2	7/8	3/8	3/8	0.35*
GTC-09	GTC-09B	#4 SOL - 2/0 STR	1-1/4	1-3/4	1-1/2	1/2	1/2	0.70
GTC-14	GTC-14B	#4 SOL - 300 MCM	1-1/2	1-7/8	1-3/8	1/2	5/16	0.60
GTC-20	GTC-20B	300 MCM - 500 MCM	1-3/8	2-7/16	1-3/4	1/2	1/2	1.00
GTC-1020	GTC-1020B	4/0 SOL - 500 MCM	2	2-5/16	1-7/8	5/8	1/2	1.20

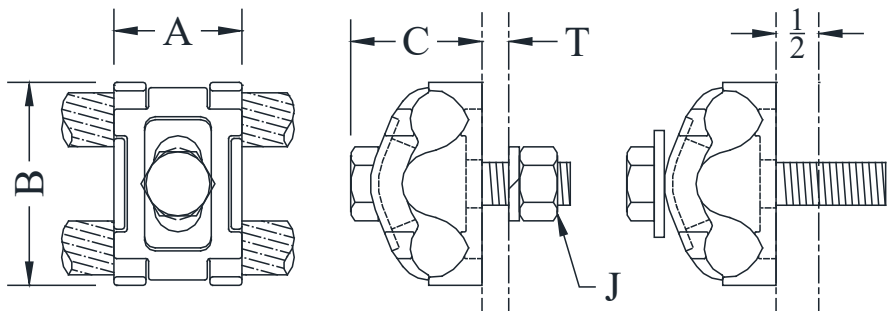
TYPE GTC2

One or Two Cables to Flat
Two-Piece Clamp

A two-piece ground connector for one or two cables to flat copper or galvanized steel surface, available with silicon bronze or galvanized steel hardware. For T dimension greater than shown, add required thickness as suffix to catalog number. Example: GTC2-14-1/2.

Also available with stainless steel bolt and flat washer for use in tapped holes having class 2 fit. Add suffix (-T) to catalog number.

Castings: Electrical Bronze
Hardware: Silicon Bronze / Galvanized Steel



CATALOG NUMBER		CONDUCTOR RANGE	DIMENSIONS - INCHES					WEIGHT (POUNDS)
HARDWARE			A	B	C	J	T	
GALVANIZED	SILICON BRONZE							
GTC2-09A	GTC2-09A-B	#4 SOL - 2/0 STR	1-1/8	1-7/8	1-1/8	3/8	3/8	0.50
GTC2-14	GTC2-14B	#4 SOL - 300 MCM	1-1/2	2-3/8	1-5/8	1/2	5/16	0.75
GTC2-0520	GTC2-0520B	#2 STR - 500 MCM	1-3/4	2-3/4	1-3/4	1/2	1/2	1.25
GTC2-1020	GTC2-1020B	4/0 STR - 500 MCM	2	2-7/8	2	5/8	1/2	1.90

SEFCOR