

GROUND CONNECTORS

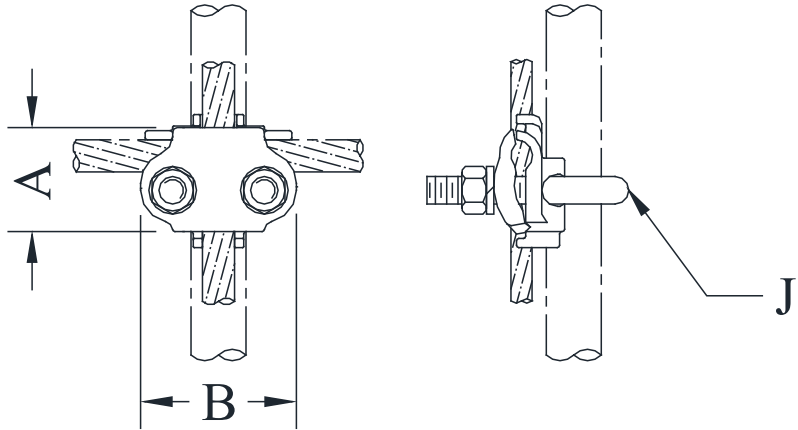
TYPE 1-OC

Single Cable to Pipe
Parallel or 90°

Castings: Electrical Bronze
Hardware: Silicon bronze

All-bronze ground connector for NPS or O.D. fence posts to copper wire or cable.

NOTE: Separate sizes for some O.D. sizes.



| CATALOG NUMBER | PIPE SIZE | | CONDUCTOR RANGE | | DIMENSIONS - INCHES | | | WEIGHT (POUNDS) |
|----------------|-----------|-----------|-----------------|---------|---------------------|---------|-----|-----------------|
| | (NPS) | (O.D.) | MINIMUM | MAXIMUM | A | B | J | |
| 1-OC-2148 | 3/8 | 5/8 - 3/4 | #4 SOL | 2/0 STR | 1-13/16 | 2-1/8 | 3/8 | 0.70 |
| 1-OC-2151 | | | 2/0 SOL | 250 MCM | 2-1/8 | 2-1/4 | 3/8 | 1.00 |
| 1-OC-2156 | | | 300 MCM | 500 MCM | 2-9/16 | 2-9/16 | 1/2 | 1.25 |
| 1-OC-2343 | 3/4 | 1 | #8 SOL | #4 STR | 2-1/16 | 2 | 3/8 | 0.85 |
| 1-OC-2348 | | | #4 SOL | 2/0 STR | 1-13/16 | 2-5/16 | 3/8 | 1.00 |
| 1-OC-2351 | | | 2/0 SOL | 250 MCM | 2-1/16 | 2-5/16 | 3/8 | 1.00 |
| 1-OC-2356 | | | 300 MCM | 500 MCM | 2-9/16 | 2-3/4 | 1/2 | 1.30 |
| 1-OC-2443 | 1 | 1-1/4 | #8 SOL | #4 STR | 2-1/16 | 2-9/16 | 3/8 | 0.80 |
| 1-OC-2448 | | | #4 SOL | 2/0 STR | 1-13/16 | 2-9/16 | 3/8 | 0.90 |
| 1-OC-2451 | | | 2/0 SOL | 250 MCM | 2-1/16 | 2-9/16 | 3/8 | 1.00 |
| 1-OC-2456 | | | 300 MCM | 500 MCM | 2-9/16 | 3 | 1/2 | 0.85 |
| 1-OC-2543 | 1-1/4 | 1-3/4 | #8 SOL | #4 STR | 2-1/16 | 3 | 3/8 | 1.05 |
| 1-OC-2548 | | | #4 SOL | 2/0 STR | 1-13/16 | 2-15/16 | 3/8 | 1.00 |
| 1-OC-2551 | | | 2/0 SOL | 250 MCM | 2-1/16 | 3 | 3/8 | 0.80 |
| 1-OC-2556 | | | 300 MCM | 500 MCM | 2-9/16 | 3 | 1/2 | 0.85 |
| 1-OC-2648 | 1-1/2 | 1-7/8 | #4 SOL | 2/0 STR | 1-13/16 | 3-1/8 | 3/8 | 1.05 |
| 1-OC-2651 | | | 2/0 SOL | 250 MCM | 2-1/16 | 3-1/4 | 3/8 | 1.05 |
| 1-OC-2656 | | | 300 MCM | 500 MCM | 2-3/4 | 3-3/8 | 1/2 | 2.15 |
| 1-OC-27X43 | - | 2 | #8 SOL | #4 STR | 1-15/16 | 3-5/16 | 3/8 | 1.10 |
| 1-OC-27X48 | | | #4 SOL | 2/0 STR | 1-7/8 | 3-5/16 | 3/8 | 1.05 |
| 1-OC-27X51 | | | 2/0 SOL | 250 MCM | 2-1/16 | 3-5/16 | 3/8 | 1.30 |

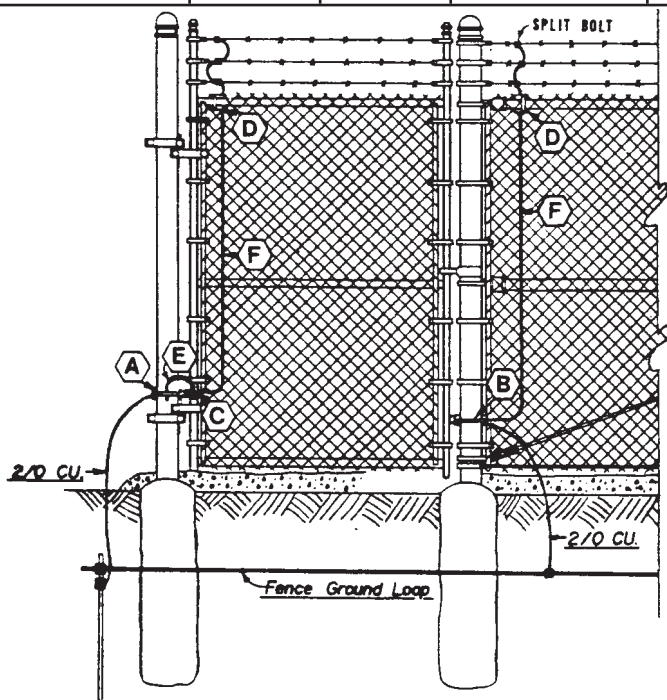
GROUND CONNECTORS

TYPE 1-OC Continued

| CATALOG NUMBER | PIPE SIZE | | CONDUCTOR RANGE | | DIMENSIONS - INCHES | | | WEIGHT (POUNDS) |
|----------------|-----------|--------|-----------------|---------|---------------------|---------|-----|-----------------|
| | (NPS) | (O.D.) | MINIMUM | MAXIMUM | A | B | J | |
| 1-OC-2748 | 2 | 2-3/8 | #4 SOL | 2/0 STR | 1-13/16 | 3-5/8 | 3/8 | 1.05 |
| 1-OC-2751 | | | 2/0 SOL | 250 MCM | 2-1/16 | 3-5/8 | 3/8 | 1.30 |
| 1-OC-2756 | | | 300 MCM | 500 MCM | 2-5/8 | 4 | 1/2 | 1.95 |
| 1-OC-28X43 | - | 2-1/2 | #8 SOL | #4 STR | 1-5/8 | 3-3/8 | 3/8 | 1.45 |
| 1-OC-28X48 | | | #4 SOL | 2/0 STR | 1-7/8 | 3-3/8 | 3/8 | 1.35 |
| 1-OC-28X51 | | | 2/0 SOL | 250 MCM | 2-1/8 | 3-7/8 | 3/8 | 1.95 |
| 1-OC-2843 | 2-1/2 | 2-7/8 | #8 SOL | #4 STR | 1-3/4 | 2-5/16 | 3/8 | 1.15 |
| 1-OC-2848 | | | #4 SOL | 2/0 STR | 1-7/8 | 2-5/16 | 3/8 | 1.45 |
| 1-OC-2851 | | | 2/0 SOL | 250 MCM | 2-1/16 | 4-3/8 | 3/8 | 2.60 |
| 1-OC-2856 | | | 300 MCM | 500 MCM | 2-3/4 | 4-1/2 | 1/2 | 2.90 |
| 1-OC-29X48 | - | 3 | #4 SOL | 2/0 STR | 1-7/8 | 3-3/4 | 3/8 | 1.70 |
| 1-OC-29X51 | | | 2/0 SOL | 250 MCM | 2-1/8 | 4-5/16 | 3/8 | 1.85 |
| 1-OC-29X56 | | | 300 MCM | 500 MCM | 2-9/16 | 5-1/4 | 1/2 | 2.95 |
| 1-OC-2948 | 3 | 3-1/2 | #4 SOL | 2/0 STR | 2 | 2-13/16 | 3/8 | 1.75 |
| 1-OC-2951 | | | 2/0 SOL | 250 MCM | 2-1/8 | 4-13/16 | 3/8 | 2.90 |
| 1-OC-2956 | | | 300 MCM | 500 MCM | 3 | 5-1/4 | 1/2 | 4.15 |
| 1-OC-3043 | 3-1/2 | 4 | #8 SOL | #4 STR | 1-5/8 | 5-1/16 | 3/8 | 1.60 |
| 1-OC-3048 | | | #4 SOL | 2/0 STR | 2 | 5-3/8 | 3/8 | 2.05 |
| 1-OC-3051 | | | 2/0 SOL | 250 MCM | 2-1/8 | 5-3/8 | 3/8 | 2.50 |
| 1-OC-3056 | | | 300 MCM | 500 MCM | 3 | 5-11/16 | 1/2 | 4.00 |
| 1-OC-3148 | 4 | 4-1/2 | #4 SOL | 2/0 STR | 2 | 5-13/16 | 3/8 | 2.30 |
| 1-OC-3151 | | | 2/0 SOL | 250 MCM | 2-1/8 | 5-13/16 | 3/8 | 3.50 |
| 1-OC-3156 | | | 300 MCM | 500 MCM | 3 | 6-3/16 | 1/2 | 4.70 |

LEGEND

- A - Type GU1 Ground Clamp
- B - Type GU1 Ground Clamp
- C - Type 1-OC or GU1 Ground Clamp
- D - Type 1-OC Ground Clamp
- E - Type XBG Ground Strap
- F - No. 2 Tinned Copper Wire



TYPICAL GATE GROUNDING SCHEME