

BRONZE BUS SUPPORTS

TYPE SCTI

Horizontal Bolted
Pipe to Insulator

Castings: Electrical Bronze

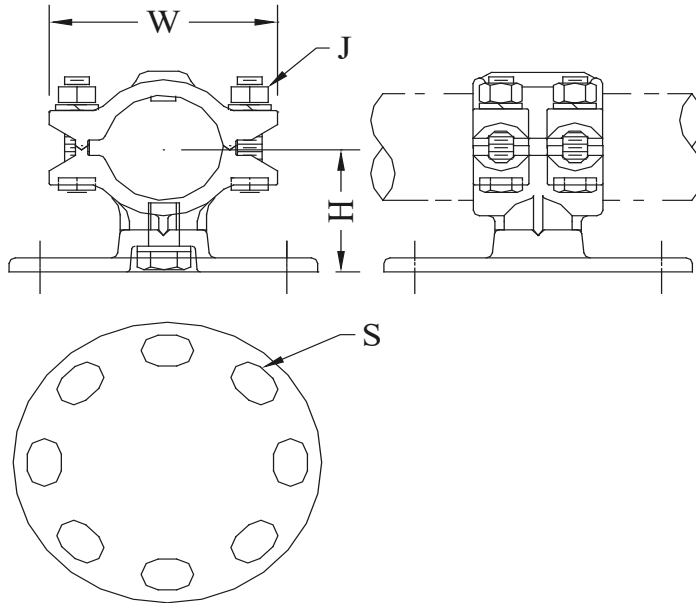
Clamping Hardware: Silicon Bronze

Mounting Hardware: Galvanized Steel

Bronze alloy bus support for copper pipe. Slip or rigid fit is provided by rotating cap. Cap is provided with a static spring.

Hardware supplied for CAP mounting. For PIN mounting, add suffix (P) to catalog number.

Example: SCTI-58-3P



CATALOG NUMBER	PIPE SIZE (NPS)	B.C.	DIMENSIONS-INCHES					WEIGHT (POUNDS)
			H	L	W	J	S	
SCTI-21-3	1/2	3	1-3/4	2-1/4	2-3/4	3/8	9/16 x 13/16	4.05
SCTI-21-5		5	1-3/4	2-1/4	2-3/4	3/8	11/16 x 1	5.75
SCTI-30-3	3/4	3	2	2-1/4	2-3/4	3/8	9/16 x 13/16	4.15
SCTI-30-5		5	2	2-1/4	2-3/4	3/8	11/16 x 1	5.80
SCTI-39-3	1	3	2	2-1/4	2-3/4	3/8	9/16 x 13/16	4.15
SCTI-39-5		5	2-1/16	2-1/4	2-3/4	3/8	11/16 x 1-1/16	5.80
SCTI-49-3	1-1/4	3	2-1/4	2-5/8	3-9/16	1/2	9/16 x 13/16	4.85
SCTI-49-5		5	2-1/4	2-5/8	3-1/2	1/2	11/16 x 1-1/16	6.50
SCTI-53-3	1-1/2	3	2-1/2	2-5/8	3-3/4	1/2	9/16 x 13/16	6.75
SCTI-53-5		5	2-1/2	2-5/8	3-3/4	1/2	11/16 x 1	8.35
SCTI-58-3	2	3	2-3/4	2-5/8	4-5/8	1/2	9/16 x 13/16	5.90
SCTI-58-5		5	2-3/4	2-5/8	4-5/8	1/2	11/16 x 1-1/16	7.60
SCTI-60-3	2-1/2	3	3-1/8	2-5/8	4-5/8	1/2	9/16 x 13/16	6.35
SCTI-60-5		5	3-1/8	2-5/8	4-5/8	1/2	11/16 x 1-1/16	8.00
SCTI-62-3	3	3	3-5/8	2-7/8	5-3/4	5/8	9/16 x 13/16	10.15
SCTI-62-5		5	3-5/8	2-7/8	5-3/4	5/8	11/16 x 1-1/16	11.85
SCTI-63-3	3-1/2	3	4	3	6-1/4	5/8	9/16 x 13/16	11.35
SCTI-63-5		5	4	3	6-1/4	5/8	11/16 x 1-1/16	13.00
SCTI-64-3	4	3	4-1/2	8-1/2	6-7/8	5/8	9/16 x 13/16	20.80
SCTI-64-5		5	4-1/2	10	7	5/8	11/16 x 1-1/16	23.70