

ALUMINUM TERMINALS

TYPE WFXTC

Weldment Expansion
Pipe to Flat

Aluminum weldment expansion terminal for aluminum pipe to flat pad. Center-formed tongues. Guides are sized for use with standard Schedule 40 pipe. Flat pads have NEMA drilling. Contact sealant is recommended. Add suffix (H) to catalog number for Schedule 80 pipe.

Castings: 356-T6 Aluminum

Laminated Straps: 1100-0 Aluminum

Options: See Page 211

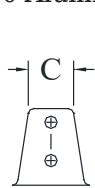


FIG. 1

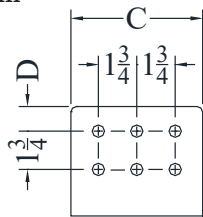


FIG. 3

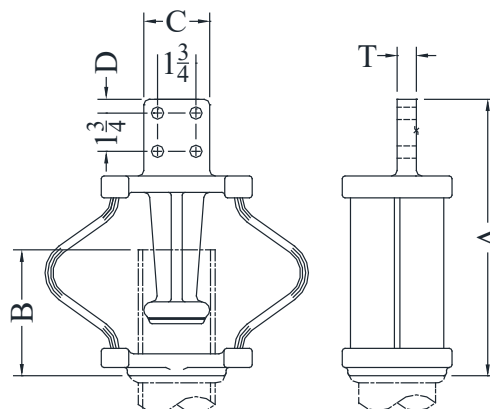


FIG. 2

CATALOG NUMBER	FIG. NO.	PIPE SIZE (NPS)	DIMENSIONS - INCHES					WEIGHT (POUNDS)
			A	B	C	D	T	
WFXTC-39-2B	1	1	11-3/8	6	2	5/8	1/2	2.65
WFXTC-39-4A	2		11-1/2	6	3	5/8	1/2	3.20
WFXTC-39-4B	2		13	6	4	1-1/8	1/2	3.65
WFXTC-49-2B	1	1-1/4	11-3/4	5-1/2	2	5/8	3/4	4.35
WFXTC-49-4A	2		11-1/2	5-1/4	3	5/8	1/2	4.20
WFXTC-53-2B	1	1-1/2	11-5/8	5-1/2	2	5/8	5/8	3.80
WFXTC-53-4A	2		11-5/8	5-1/2	3	5/8	5/8	3.80
WFXTC-53-4B	2		12-3/4	5-1/2	4	1-1/8	5/8	4.10
WFXTC-58-2B	1	2	11-3/4	5-1/2	2	5/8	11/16	5.50
WFXTC-58-4A	2		11-3/4	5-1/2	3	5/8	11/16	5.50
WFXTC-58-4B	2		13	5-1/2	4	1-1/8	1/2	5.75
WFXTC-60-2B	1	2-1/2	12-1/2	5-1/2	2	5/8	5/8	8.45
WFXTC-60-4A	2		12-1/2	5-1/2	3	5/8	11/16	8.45
WFXTC-60-4B	2		13-1/2	5-1/2	4	1-1/8	5/8	8.45
WFXTC-62-2B	1	3	11-3/8	4-1/2	2	5/8	11/16	9.65
WFXTC-62-4A	2		12-7/8	6	3	5/8	7/8	10.15
WFXTC-62-4B	2		13-7/8	6	4	1-1/8	7/8	10.90
WFXTC-63-2B	1	3-1/2	12-7/8	6	2	5/8	3/4	12.40
WFXTC-63-4A	2		12-7/8	6	3	5/8	3/4	12.40
WFXTC-63-4B	2		13-7/8	6	4	1-1/8	7/8	12.40
WFXTC-64-2B	1	4	13-1/8	6	2	5/8	3/4	14.85
WFXTC-64-4A	2		12-3/4	6	3	5/8	3/4	14.85
WFXTC-64-4B	2		13-3/4	6	4	1-1/8	1	15.60
WFXTC-64-6B	3		11	6	6	1-1/8	1	18.40
WFXTC-67-4A	2	5	13-3/4	6-3/4	3	5/8	1-1/8	22.20
WFXTC-67-4B	2		15-7/8	7-3/8	4	1-1/8	1-1/8	22.20
WFXTC-67-6B	3		15-7/8	7-3/8	6	1-1/8	1	22.70
WFXTC-69-4B	2	6	15-3/4	7-3/8	4	1-1/8	1-1/8	24.55
WFXTC-69-6B	3		16-1/4	7-3/8	6	1-1/8	1	28.80