

BRONZE MISCELLANEOUS

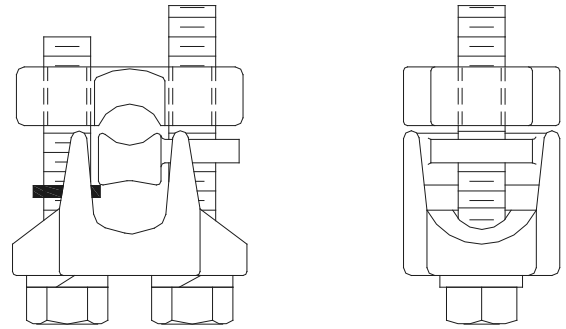
TYPE GFCS

Parallel Connector
Cable to Cable

Bronze parallel connector with separator for copper to copper connections. Contact factory for further information and specifications.

Castings: Electrical Bronze
Retaining Ring: Neoprene Rubber
Hardware: Silicon Bronze

CATALOG NUMBER	CONDUCTOR RANGE	
	RUN	TAP
GFCS-4848	#6 SOL. - 2/0 STR	#3 STR - 2/0 STR.
GFCS-5050	#1 - 4/0 STR.	#6 - 4/0 STR.
GFCS-5353	2/0 - 350 MCM	#4 - 350 MCM
GFCS-5656	3/0-500 MCM	#4 - 500 MCM
GFCS-6262	350 - 800 MCM	#2 - 800 MCM
GFCS-6666	450 - 1000 MCM	1/0 - 1000 MCM



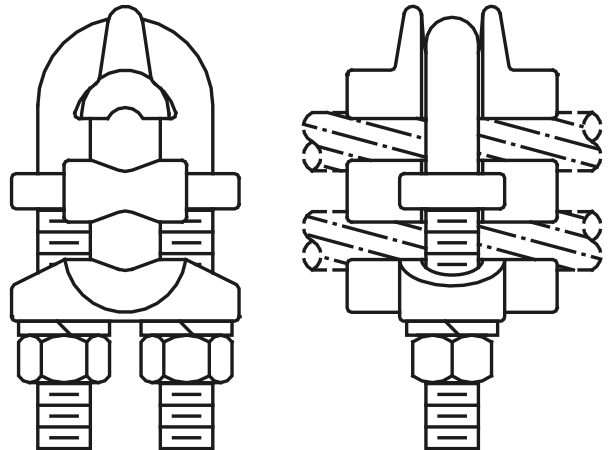
TYPE GCK

Parallel Connector
Cable to Cable

Bronze single "U" bolt type parallel connector with separator for copper cable to cable connections. Contact factory for further information and specifications.

Castings: Electrical Bronze
Hardware: Silicon Bronze

CATALOG NUMBER	CONDUCTOR RANGE	
	RUN	TAP
GCK-4848	#2 SOL.- 2/0 STR.	#2 SOL.- 2/0 STR.
GCK-5050	#1 - 4/0 STR.	#1 - 4/0 STR.
GCK-5252	1/0 - 300 MCM	1/0 - 300 MCM
GCK-5656	4/0 - 500 MCM	4/0 - 500 MCM



TYPE PDC

Parallel Connector
Cable to Cable

Single bolt parallel connector for copper to copper cable connections. Contact factory for further information.

Castings: Electrical Bronze
Hardware: Silicon Bronze

CATALOG NUMBER	CONDUCTOR RANGE	
	RUN	TAP
PDC-1107	1/0 SOL. - 4/0 STR.	#8 SOL. - 1 STR.
PDC-4747	#6 - 1/0 STR.	#6 - 1/0 STR.
PDC-5046	#2 - 4/0 STR.	#8 SOL. - 1 STR.
PDC-5247	1/0 - 300 MCM	#6 - 1/0 STR.

