

# ALUMINUM TERMINALS

## TYPE AFXT

Expansion Terminal  
Pipe to Flat

Aluminum bolted expansion terminal with hex head clamping bolts for aluminum pipe to flat pad. Center-formed tongues. Guides are sized for use with standard Schedule 40 pipe. Clamping bolts have hex stops for one-wrench installation. Flat pads have NEMA drilling. Contact sealant is recommended.

Add suffix (H) to catalog number for Schedule 80 pipe.

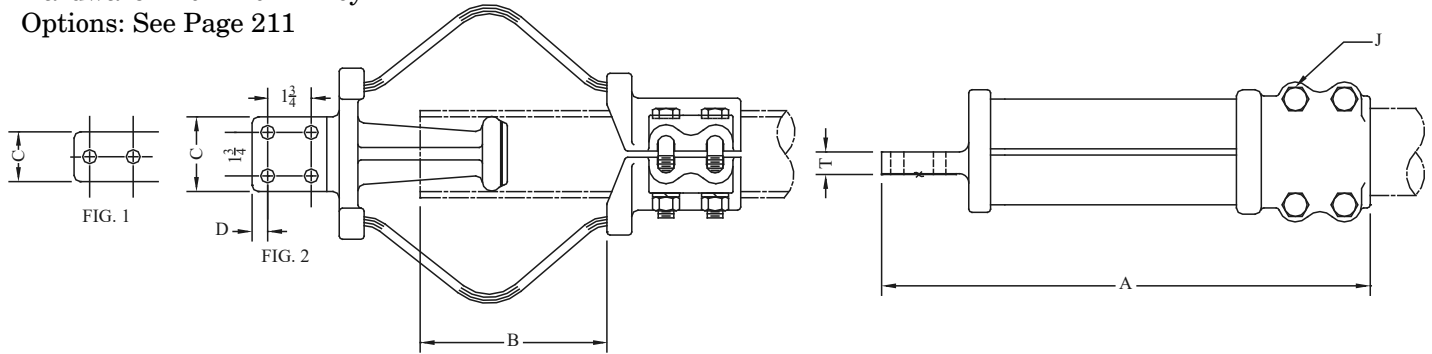
Example: AFXT-60H-4A

Castings: 356-T6 Aluminum

Laminated Straps: 1100-0 Aluminum

Hardware: Aluminum Alloy

Options: See Page 211



CATALOG NUMBER	FIG. NO.	PIPE SIZE (NPS)	DIMENSIONS - INCHES						WEIGHT (POUNDS)
			A	B	C	D	J	T	
AFXT-39-2B	1	1	14	4-3/8	2	5/8	1/2	3/8	3.65
AFXT-39-4A	2		14	4-3/8	3	5/8	1/2	3/8	3.55
AFXT-39-4B	2		15	4-3/8	4	1-1/8	1/2	3/8	4.30
AFXT-49-2B	1	1-1/4	15-1/4	5-1/8	2	5/8	1/2	1/2	5.60
AFXT-49-4A	2		15-1/4	5-1/8	3	5/8	1/2	1/2	6.35
AFXT-49-4B	2		16-1/4	5	4	1-1/8	1/2	1/2	7.10
AFXT-53-2B	1	1-1/2	15-3/4	5-1/8	2	5/8	1/2	5/8	5.10
AFXT-53-4A	2		15-1/8	5-1/8	3	5/8	1/2	5/8	5.10
AFXT-53-4B	2		16-1/2	5-1/8	4	1-1/8	1/2	1/2	5.35
AFXT-58-2B	1	2	15-7/8	5	2	5/8	1/2	1/2	7.50
AFXT-58-4A	2		15-7/8	5	3	5/8	1/2	1/2	7.50
AFXT-58-4B	2		17-1/4	5	4	1-1/8	1/2	1/2	7.75
AFXT-60-2B	1	2-1/2	18-1/2	7	2	5/8	1/2	11/16	11.75
AFXT-60-4A	2		18-1/2	7	3	5/8	1/2	11/16	11.75
AFXT-60-4B	2		19-5/8	7	4	1-1/8	1/2	3/4	11.75
AFXT-62-2B	1	3	19-5/8	7-1/2	2	5/8	5/8	7/8	15.10
AFXT-62-4A	2		19-5/8	7-1/2	3	5/8	5/8	7/8	15.10
AFXT-62-4B	2		20-1/8	7-1/2	4	1-1/8	5/8	7/8	15.85
AFXT-63-4A	2	3-1/2	20-1/4	7-3/4	3	5/8	5/8	7/8	18.40
AFXT-63-4B	2		21-1/4	7-3/4	4	1-1/8	5/8	11/16	18.40
AFXT-64-4A	2	4	20-1/2	8-1/4	3	5/8	5/8	7/8	20.00
AFXT-64-4B	2		21-1/4	8-1/4	4	1-1/8	5/8	1	20.70
AFXT-67-4A*	2	5	23-1/8	7	3	5/8	5/8	1	36.70
AFXT-67-4B*	2		24-1/8	7	4	1-1/8	5/8	1	36.70
AFXT-69-4B*	2	6	24-1/2	7	4	1-1/8	5/8	1	45.10

\*Six Conductor-Clamping Bolts

# SEFCOR