

# BRONZE BUS SUPPORTS

## TYPE CCTI

Horizontal Bolted  
Pipe to Insulator  
(Coupler)

Bronze alloy rigid bus support coupler for copper pipe.

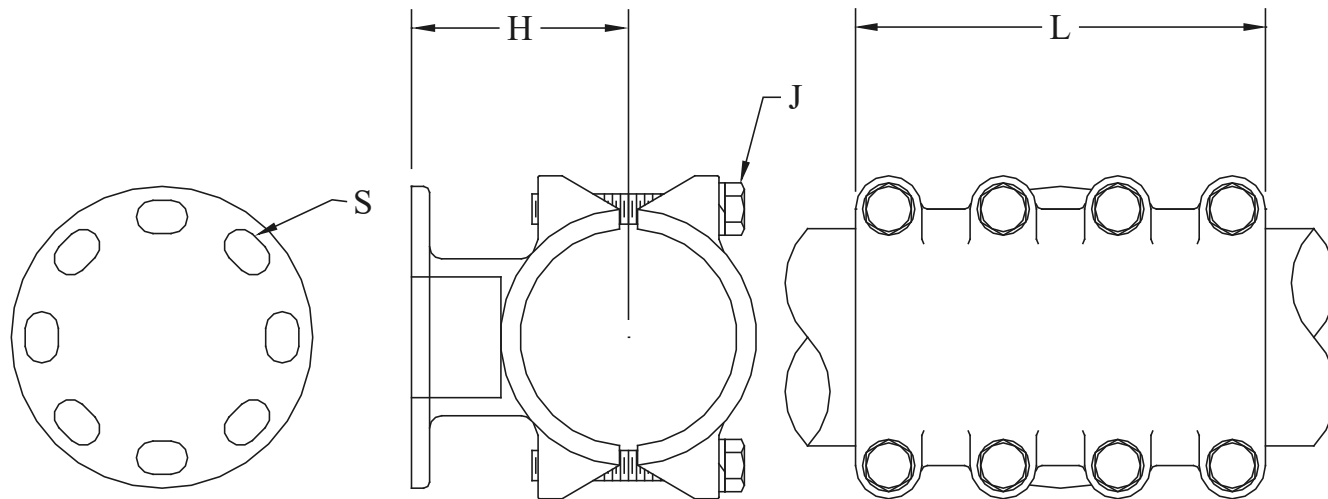
Hardware supplied for CAP mounting. For PIN mounting, add suffix (P) to catalog number.

Example: CCTI-49-5P

Castings: Electrical Bronze

Clamping Hardware: Silicon Bronze

Mounting Hardware: Galvanized Steel



CATALOG NUMBER	PIPE SIZE (NPS)	B.C.	DIMENSIONS-INCHES				WEIGHT (POUNDS)
			H	L	J	S	
CCTI-21-3	1/2	3	1-3/4	4-1/4	3/8	9/16 x 13/16	2.75
CCTI-21-5		5	2-1/8	4-1/4	3/8	11/16 x 1-1/16	3.20
CCTI-30-3	3/4	3	2	4-1/4	3/8	9/16 x 13/16	3.70
CCTI-30-5		5	2-1/4	4-1/4	3/8	11/16 x 1-1/16	4.35
CCTI-39-3	1	3	2	5	3/8	9/16 x 13/16	6.55
CCTI-39-5		5	2	5	3/8	11/16 x 1-1/16	8.20
CCTI-49-3	1-1/4	3	2-1/4	5-3/4	1/2	9/16 x 13/16	7.00
CCTI-49-5		5	2-1/4	5-3/4	1/2	11/16 x 1-1/16	7.75
CCTI-53-3	1-1/2	3	2-1/2	5-3/4	1/2	9/16 x 13/16	8.75
CCTI-53-5		5	2-1/2	5-3/4	1/2	11/16 x 1-1/16	13.55
CCTI-58-3	2	3	2-3/4	5-5/8	1/2	9/16 x 13/16	10.55
CCTI-58-5		5	2-3/4	5-5/8	1/2	11/16 x 1-1/16	12.45
CCTI-60-3	2-1/2	3	3-1/8	6	1/2	9/16 x 13/16	14.25
CCTI-60-5		5	3-1/8	6	1/2	11/16 x 1-1/16	15.95
CCTI-62-3	3	3	3-5/8	7-3/8	5/8	9/16 x 13/16	20.35
CCTI-62-5		5	3-5/8	7-3/8	5/8	11/16 x 1-1/16	22.25
CCTI-63-3	3-1/2	3	4	7-3/4	5/8	9/16 x 13/16	22.95
CCTI-63-5		5	4	7-3/4	5/8	11/16 x 1-1/16	24.20
CCTI-64-3	4	3	4-1/2	8	5/8	9/16 x 13/16	25.85
CCTI-64-5		5	4-1/2	8-1/2	5/8	11/16 x 1-1/16	31.65