

# BRONZE MISCELLANEOUS

## **TYPE DP-BR**

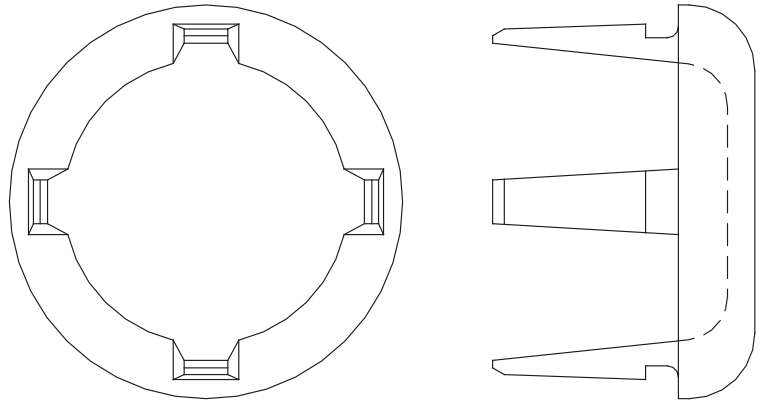
Drive On - Internal  
End Plug

Internal bronze end plug for enclosing NPS and EHPS pipe ends. Plug is designed for drive-in fit with tapered internal fingers.

Add (H) to conductor code for EHPS. Example: DP-39H-BR.

Material: Electrical Bronze

CATALOG NUMBER	CONDUCTOR SIZE
	PIPE - NPS
DP-30-BR	3/4
DP-39-BR	1
DP-49-BR	1-1/4
DP-53-BR	1-1/2
DP-58-BR	2
DP-60-BR	2-1/2
DP-62-BR	3
DP-63-BR	3-1/2
DP-64-BR	4



## **TYPE FNSS**

Single Bolted Terminal  
Cable to Flat

Bronze single bolted vise type terminal for use in copper cable to flat pad applications. Contact factory for further information.

Material: Electrical Bronze

Hardware: Silicon Bronze

CATALOG NUMBER	CONDUCTOR RANGE
FNSS-20-2A	4/0 - 500 MCM
FNSS-34-2A	500 - 1000 MCM

