

ALUMINUM TERMINALS

TYPE AFNC3

Straight Bolted
Three Cables to Flat

Castings: 356-T6 Aluminum
Hardware: Aluminum Alloy
Options: See Page 211

Aluminum alloy terminal with hex head clamping bolts for connecting three aluminum cables to flat pad. Side formed tongues. Clamping bolts have hex stops for one-wrench installation. Flat pads have NEMA drilling. Contact sealant is recommended.

Angle connectors may be obtained by specifying desired angle.

Example: AFNC390-13-4A

Wide cable ranges using reversible caps are available and are listed at the end of the table.

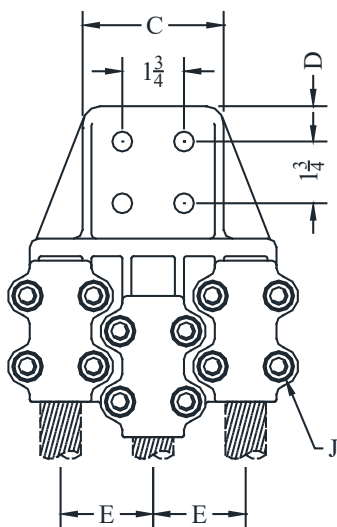


FIG. 1

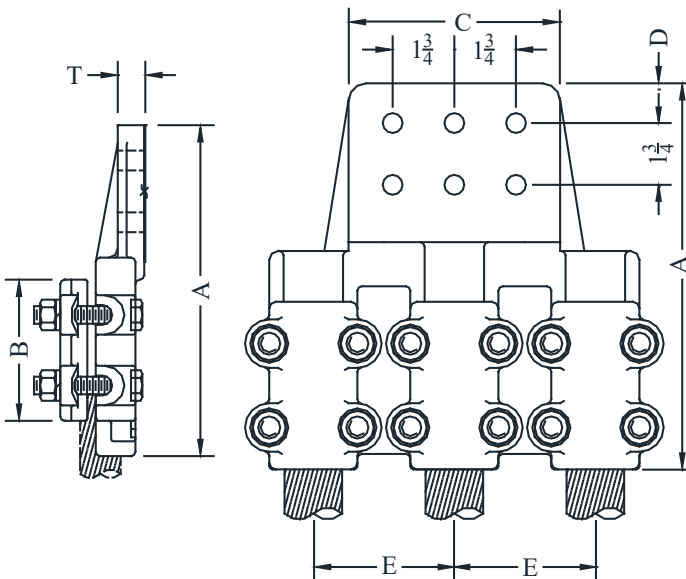


FIG. 2

CATALOG NUMBER	FIG. NO.	CONDUCTOR RANGE		DIMENSIONS-INCHES							WEIGHT (POUNDS)
		AAC	ACSR	A	B	C	D	J	T	E	
AFNC3-13-4A	1	#4-266	#4-4/0 STR	CONSULT FACTORY FOR DETAILS							
AFNC3-13-4B											
AFNC3-20-4A	1	246.9-500	4/0-397								
AFNC3-20-4B											
AFNC3-24-4A	1	350-650	336-556	8-7/8	4	3	5/8	1/2	5/8	2-1/2	4.60
AFNC3-24-4B				9-3/8	4	4	1-1/8	1/2	5/8	2-1/2	4.60
AFNC3-34-4B	1	500-1000	477-795	9-3/8	4	4	1-1/8	1/2	3/4	2-5/8	4.90
AFNC3-39-4B	1	874-1300	715-1113	10-7/16	4-1/4	4	1-1/8	1/2	1	2-13/16	9.00
AFNC3-39-6B	2			10-9/16	4-1/4	6	1-1/8	1/2	7/8	2-13/16	10.80
AFNC3-43-4B	1	1250-1600	1113-1431	10-1/4	4-1/2	4	1-1/8	5/8	13/16	3-1/4	9.60
AFNC3-43-6B	2			CONTACT FACTORY FOR DETAILS							
AFNC3-49-4B	1	1500-2000	1272-1590	10-15/16	4-3/4	4	1-1/8	5/8	1-1/4	4	18.20
AFNC3-49-6B	2			10-15/16	4-3/4	6	1-1/8	5/8	1-1/4	4	18.80
AFNC3-56-4B*	1	2000 - 3500	2034 - 3064	12	6	4	1-1/8	5/8	1-1/4	4-5/8	20.00
AFNC3-56-6B*	2			12	6	6	1-1/8	5/8	1-1/4	4-5/8	22.00
AFNC3-1139-4B	1	4/0-1351.5	4/0-1272 (45/7)	10	4-1/4	4	1-1/8	1/2	1	2-13/16	9.80
AFNC3-1139-6B	2			10-9/16	4-1/4	6	1-1/8	1/2	7/8	2-13/16	10.15
AFNC3-3653-4B	1	1100 - 2500	1113 - 2300	CONTACT FACTORY FOR DETAILS							
AFNC3-3653-6B	2										

* Six clamping bolts per cap

SEFCOR