

# BRONZE BUS SUPPORTS

## TYPE CN

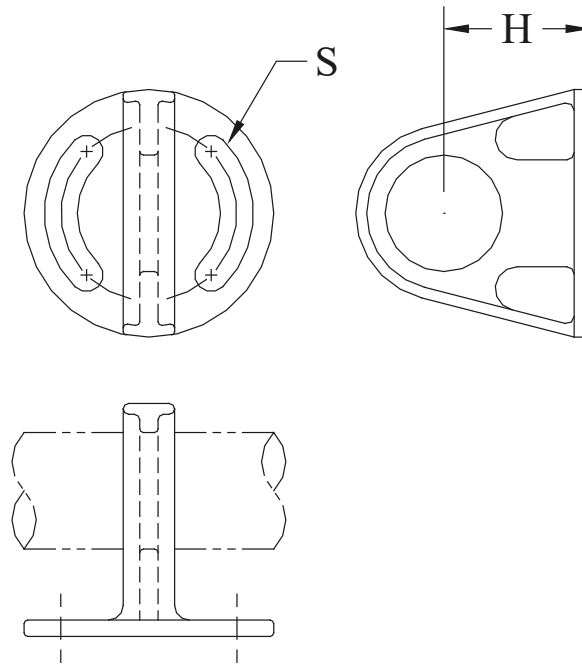
Horizontal  
Pipe to Insulator

Bronze alloy, slip-fit bus support for copper pipe. Adjustable base slots allow rotation up to 90° for alignment.

Hardware supplied for CAP mounting. For PIN mounting, add suffix (P) to catalog number. Example: CN-26-3P

Castings: Electrical Bronze

Mounting Hardware: Galvanized Steel



CATALOG NUMBER	PIPE SIZE (NPS)	B.C.	DIMENSIONS-INCHES		WEIGHT (POUNDS)
			H	S (SLOTS)	
CN-22-3	1/2	3	1-3/4	9/16	2.00
CN-23-3	3/4	3	2	9/16	2.25
CN-24-3	1	3	2	9/16	2.50
CN-25-3	1-1/4	3	2-1/4	9/16	2.75
CN-26-3	1-1/2	3	2-1/2	9/16	3.00
CN-26-5		5	2-1/2	11/16	4.00
CN-27-3	2	3	2-3/4	9/16	3.50
CN-27-5		5	2-3/4	11/16	4.50
CN-28-3	2-1/2	3	3-1/8	9/16	4.00
CN-28-5		5	3-1/8	11/16	5.00
CN-29-3	3	3	3-5/8	9/16	4.50
CN-29-5		5	3-5/8	11/16	5.50
CN-31-3	4	3	4-1/4	9/16	5.00
CN-31-5		5	4-1/2	11/16	6.00
CN-33-3	5	3	4-1/4	9/16	5.50
CN-33-5		5	5-1/4	11/16	6.50
CN-34-5	6	5	5	11/16	7.00