

# EHV MISCELLANEOUS

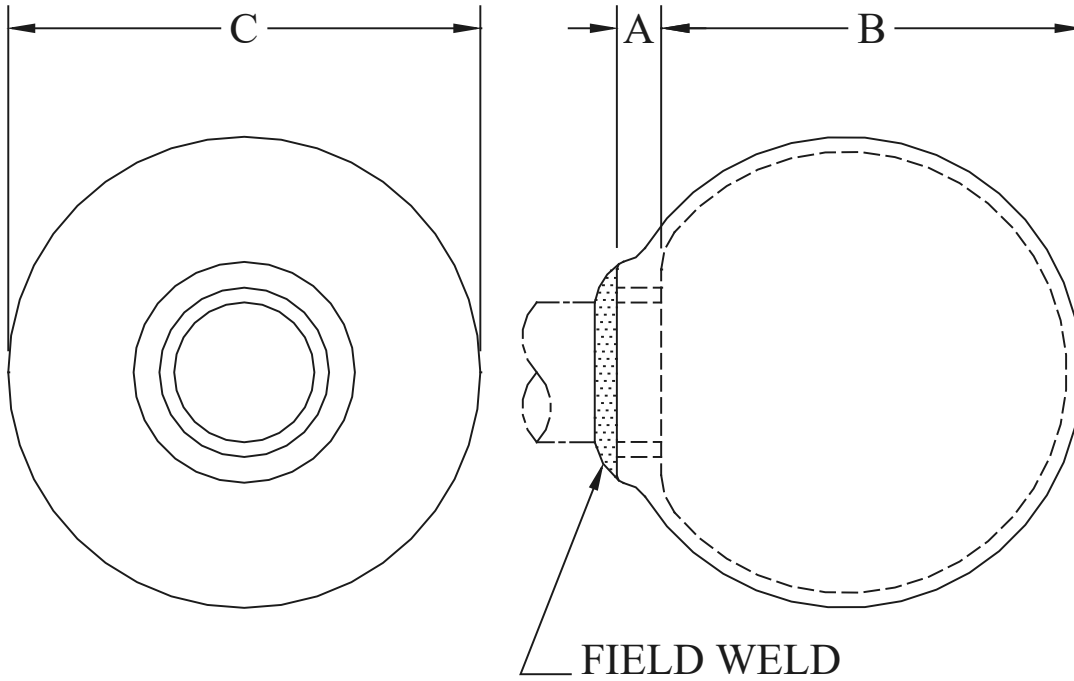
ALUMINUM • 345 - 500 KV

## TYPE WEPC

Weld External End Bell

Type WEPC is external weld in-bell for 345 or 500 KV.  
Sphere surfaces are factory-finished to assure corona-free service.

Casting: 356-T6 Aluminum



CATALOG NUMBER	PIPE SIZE (NPS)	MAX. KV	DIMENSIONS - INCHES		
			A	B	C
WEPC-60-8	2-1/2	345	3/4	7-1/8	8
WEPC-60-12		500	2	11-5/8	12
WEPC-62-8	3	345	3/4	7	8
WEPC-62-12		500	1	11-5/8	12
WEPC-63-8	3-1/2	345	3/4	6-1/2	8
WEPC-63-12		500	1-1/8	11-11/16	12
WEPC-64-8	4	345	3/4	6-1/2	8
WEPC-64-12		500	1	11-5/8	12
WEPC-67-8	5	345	7/8	6-1/8	8
WEPC-67-12		500	1-5/8	11	12
WEPC-69-8	6	345	2-1/2	2-3/8	8
WEPC-69-12		500	1-5/8	10-7/8	12