

EHV MISCELLANEOUS

ALUMINUM • 345 - 500 KV

TYPE ASPCHV

Bolted Spacer - Two Cables

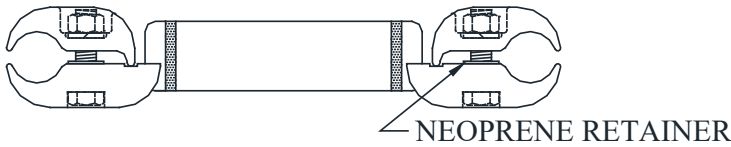
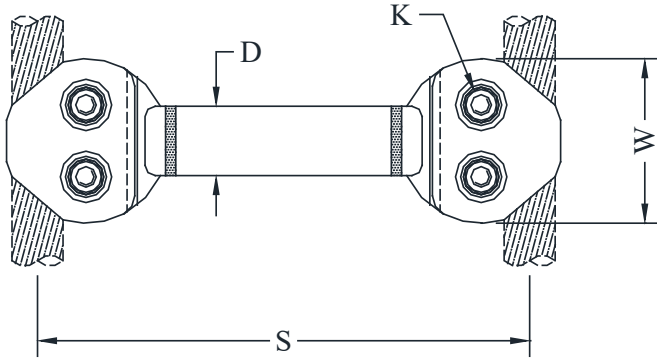
Castings: 356-T6 Aluminum
 Spacer Pipe: 6061-T6 Aluminum
 Clamping Hardware: Aluminum Alloy

Type ASPCHV rigid cable spacer is designed for corona-free service within the voltage limitations of the conductor bundle. It is for use on bundled-conductor station buswork, not for transmission lines.

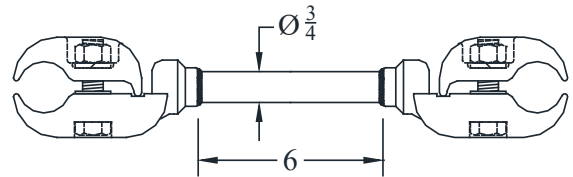
A grounding stirrup can be incorporated in the spacer member as shown, when required.

Other sub-conductor spacings may be available.

Contact factory with spacing specifications.



TYPE ASPCHV



TYPE ASPCHV-ST

WITH GROUNDING STIRRUP
 ADD SUFFIX -ST TO CATALOG NUMBERS BELOW

CATALOG NUMBER	CONDUCTOR RANGE (IN INCHES)	DIMENSIONS - INCHES			
		S	W	D	K
ASPCHV-32-12	1.026 - 1.108	12	4	1.32	1/2
ASPCHV-35-12	1.108 - 1.196	12	4	1.32	1/2
ASPCHV-38-12	1.212 - 1.293	12	4	1.66	1/2
ASPCHV-41-12	1.385	12	4	1.66	1/2
ASPCHV-43-12	1.385 - 1.465	12	4	1.66	1/2
ASPCHV-46-12	1.466 - 1.545	12	4	1.66	1/2
ASPCHV-46-18	1.466 - 1.545	18	4	1.66	1/2
ASPCHV-48-18	1.6875	18	4	1.66	1/2
ASPCHV-51-18	1.670 - 1.823	18	4-3/8	1.66	5/8
ASPCHV-54-18	2.000	18	4-3/8	1.66	5/8