

EHV MISCELLANEOUS

ALUMINUM • 345 - 500kV

TYPE ASBC3 & ASBC4

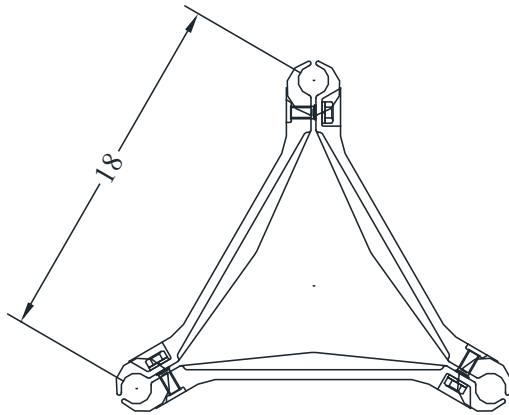
Bolted Cable Spacers
For 3 & 4 Cables

Type ASBC3 and ASBC4 are rigid spacers, designed for corona-free service at 345 and 500kV.

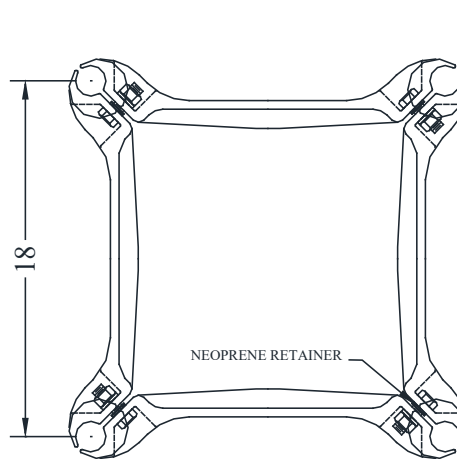
They are suitable for use on bundled-conductor station bus work. Not recommended for overhead transmission lines.

Castings: 356-T6 Aluminum

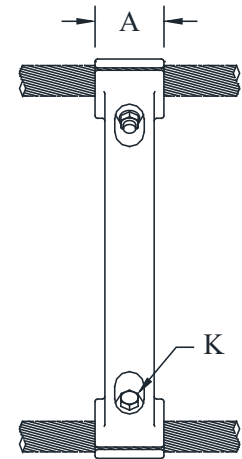
Clamping Hardware: Stainless Steel



TYPE ASBC3



TYPE ASBC4



CATALOG NUMBER		CONDUCTOR SIZE (MCM)		DIMENSIONS - INCHES	
TYPE ASBC3	TYPE ASBC4	AAC	ACSR	A	K
ASBC3-36	ASBC4-36	-----	954 ACSR	3	5/8
ASBC3-37	ASBC4-37	1192 AAC	1033 ACSR	3	5/8
ASBC3-39	ASBC4-39	1272 AAC	1113 ACSR	3	5/8
ASBC3-41	ASBC4-41	1272 - 1431 AAC	1192 - 1272 ACSR	3	5/8
ASBC3-46	ASBC4-46	1590 AAC	1510 - 1590 ACSR	3	5/8
ASBC3-51	ASBC4-51	-----	2156 ACSR	3-1/2	5/8
ASBC3-52	ASBC4-52	2500 AAC	2515 ACSR	3-1/2	5/8