

EHV TERMINALS

TYPE WFCCV

Weldment Expansion
Pipe To Flat

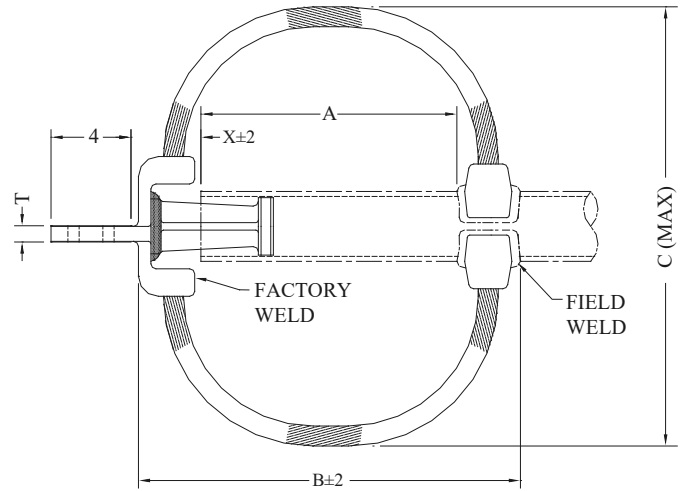
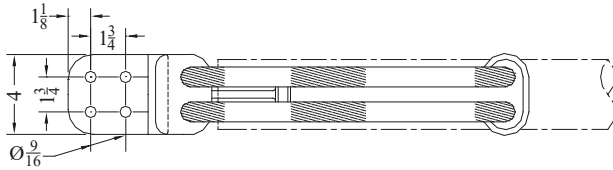
Self-shielding at voltages through 345 KV by the flexible elements which serve as corona rings. Normally furnished without hardware shields. The 4-inch allowable movement accommodates 130 feet of aluminum bus over a 200°F temperature range.

Note: See hardware shield AA-1094.

Casting: 356-T6 Aluminum

Flexible Elements: Class A Str. Cable

Options: See Page 242



CATALOG NUMBER	PIPE SIZE		NO. CABLES	CURRENT CAPACITY	DIMENSION - INCHES					WEIGHT (POUNDS)
	(NPS)	(EHPS)			A	B	C	T	X	
WFCCV-58-4B	2	-----	4	2000 A	12	17-1/2	24	3/4	3-1/2	13.10
WFCCV-58H-4B	-----	2	4	2000 A	12	17-1/2	24	3/4	3-1/2	13.10
WFCCV-60-4B	2-1/2	-----	4	2000 A	12	17-1/2	25	3/4	3-1/2	15.10
WFCCV-60H-4B	-----	2-1/2	4	2000 A	12	17-1/2	25	3/4	3-1/2	15.10
WFCCV-62-4B	3	-----	4	2400 A	12	17-1/2	25	3/4	3-1/2	14.80
WFCCV-62H-4B	-----	3	4	2400 A	12	17-1/2	25	3/4	3-1/2	14.80
WFCCV-63-4B	3-1/2	-----	4	2700 A	12-1/2	18-1/8	24	1	4	18.50
WFCCV-63H-4B	-----	3-1/2	4	2700 A	12-1/2	18-1/8	24	1	4	18.50
WFCCV-64-4B	4	-----	4	2700 A	12-1/2	19-1/8	24	1	3-7/8	18.75
WFCCV-64H-4B	-----	4	4	2700 A	12-1/2	19-1/8	24	1	3-7/8	18.75
WFCCV-67-4B	5	-----	6	3000 A	18-1/2	24-1/2	32	1-1/8	4	31.40
WFCCV-67H-4B	-----	5	6	3000 A	18-1/2	24-1/2	32	1-1/8	4	31.40
WFCCV-69-4B	6	-----	6	3000 A	21-1/8	27	33	1-1/8	4	33.70
WFCCV-69H-4B	-----	6	6	3000 A	21-1/8	27	33	1-1/8	4	33.70

TYPE WFCCH

Weldment Expansion
Pipe To Flat

Type WFCCH is identical to the type WFCCV above, except that the center-formed pad is rotated 90 degrees to place the flexible elements in the same plane as the pad surface. To specify, substitute WFCCH in the table above.

