

ALUMINUM BUS SUPPORTS

TYPE WVTI

Vertical Weldment
Pipe to Insulator

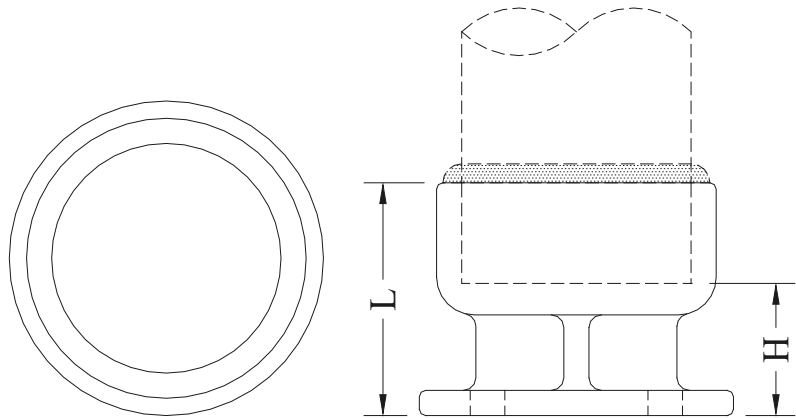
Aluminum alloy vertical weldment bus support for pipe.

Hardware supplied for CAP mounting. For PIN mounting, add suffix (P) to catalog number.

Example: WVTI-62-5P

Casting: 356-T6 Aluminum

Mounting Hardware: Galvanized Steel



CATALOG NUMBER	PIPE SIZE (NPS)	B.C.	DIMENSIONS-INCHES			WEIGHT (POUNDS)
			H	L	J	
WVTI-30-3	3/4	3	5/16	1-5/16	1/2	1.10
WVTI-30-5		5	5/16	1-5/16	5/8	1.60
WVTI-39-3	1	3	1-1/4	2-3/16	1/2	1.40
WVTI-39-5		5	1-1/4	2-3/16	5/8	1.80
WVTI-49-3	1-1/4	3	1-9/16	2-9/16	1/2	1.40
WVTI-49-5		5	1-1/8	2	5/8	2.00
WVTI-53-3	1-1/2	3	1-3/4	3-1/8	1/2	1.65
WVTI-53-5		5	7/8	1-3/4	5/8	2.25
WVTI-58-3	2	3	2-1/16	3-13/16	1/2	2.40
WVTI-58-5		5	1-1/8	2	5/8	2.00
WVTI-60-3	2-1/2	3	2-3/8	4-3/8	1/2	2.70
WVTI-60-5		5	2-1/2	4-1/2	5/8	3.75
WVTI-62-3	3	3	2-5/8	5-1/8	1/2	4.20
WVTI-62-5		5	2-1/2	4-1/4	5/8	4.75
WVTI-62-7		7	2-1/2	5	3/4	4.90
WVTI-63-3	3-1/2	3	2-3/4	5-1/4	1/2	4.20
WVTI-63-5		5	2	4-1/2	5/8	4.25
WVTI-63-7		7	1/2	2-1/8	3/4	3.90
WVTI-64-3	4	3	2-3/8	4-3/8	1/2	4.20
WVTI-64-5		5	2-9/16	4-9/16	5/8	7.05
WVTI-64-7		7	2-1/2	4-1/2	3/4	7.85
WVTI-67-3	5	3	2-1/8	4-5/8	1/2	8.90
WVTI-67-5		5	3	5-1/2	5/8	10.25
WVTI-67-7		7	3	5-1/2	3/4	14.05
WVTI-69-5	6	5	3	6	5/8	9.80
WVTI-69-7		7	3	6	3/4	11.50