

# ALUMINUM MISCELLANEOUS

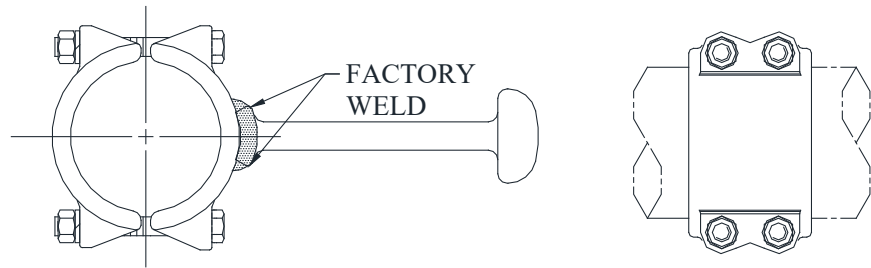
Aluminum bolted grounding stud for grounding aluminum pipe.  
Contact factory for further information.

## TYPE ATS

Straight Bolted  
Stud to Pipe

Castings: 356-T6 Aluminum  
Hardware: Aluminum Alloy

CATALOG NUMBER	PIPE SIZE
ATS-58	2" NPS
ATS-60	2-1/2" NPS
ATS-62	3" NPS
ATS-63	3-1/2" NPS
ATS-64	4" NPS
ATS-67	5" NPS



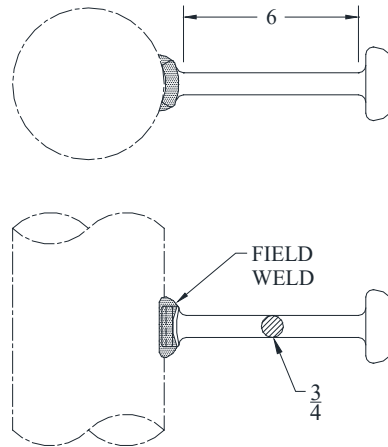
Aluminum weldment range-taking grounding stud for grounding aluminum pipe. Contact factory for further information.

## TYPE WTS

Straight Weldment  
Stud to Pipe

Castings: 356-T6 Aluminum

CATALOG NUMBER	PAD SIZE
WTS-3960	1" - 2-1/2" NPS
WTS-6064	2-1/2" - 8" NPS



Aluminum alloy for flat bar pads to stud for grounding. NEMA drilling is standard. Contact sealant is recommended. Contact factory for further information.

## TYPE WTS

Straight Bolted  
Flat Pad to Stud

Castings: 356-T6 Aluminum

CATALOG NUMBER	PAD SIZE	FIG.
WTS-2B	2" x 3" (2 HOLE)	2
WTS-4A	3" x 3" (4 HOLE)	1
WTS-4B	4" x 4" (4 HOLE)	1

