

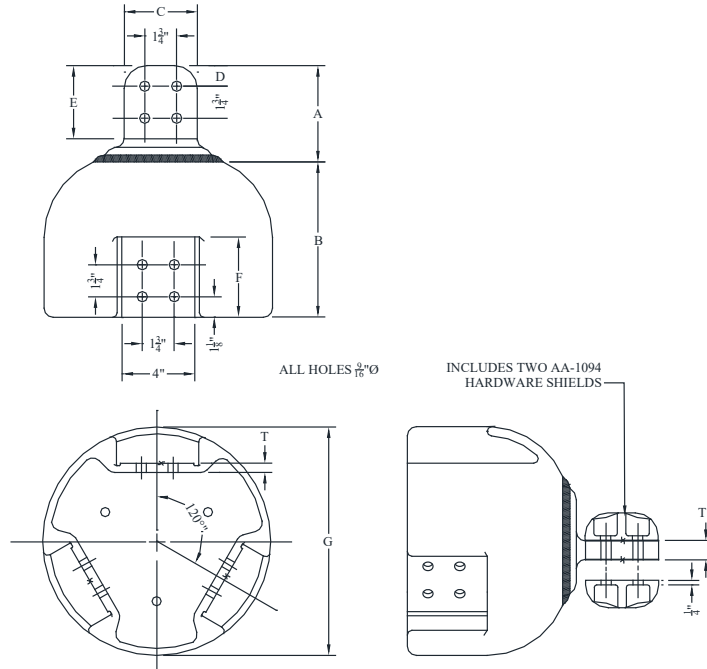
# EHV TERMINALS

## TYPE AFN3HV

Trifurcating  
Flat to Flat

Casting: 356-T6 Aluminum  
Options: See Page 242

Designed for corona-free service at 500 KV when used with three EHV cable terminals to form a trifurcating terminal connection. No additional hardware shields are required when assembling bolts are installed with the nuts inside the bell. Hardware must be ordered separately.



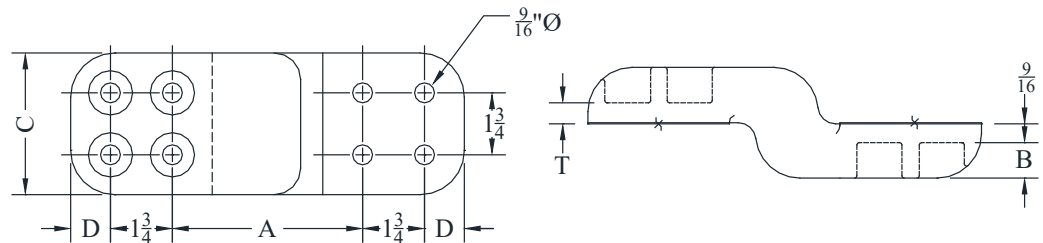
CATALOG NUMBER	DIMENSIONS - INCHES									WEIGHT (POUNDS)
	A	B	C	D	E	F	G	T	T1	
AFN3HV	5-1/4	8-1/2	4	1-1/8	4	4-3/8	12-1/2	1/2	1	33.75

## TYPE ADPHV-4B

Extension Pad  
3000 A

Castings: 356-T6 Aluminum  
Options: See Page 242

Designed for use at 500 KV where additional clearance is required at termination on shielded apparatus pads. For in line connections only.



CATALOG NUMBER	DIMENSIONS - INCHES					WEIGHT (POUNDS)
	A	B	C	D	T	
ADPHV-4B	5-3/8	1	4	1-1/8	9/16	6.95