

ALUMINUM BUS SUPPORTS

TYPE WTSI

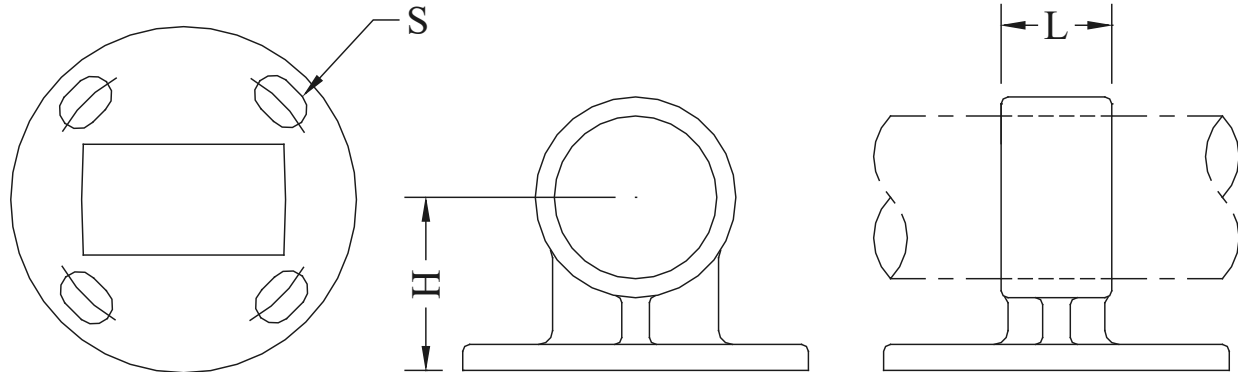
Horizontal Weldment
Pipe to Insulator

Aluminum alloy bus support for aluminum pipe. Can be used as rigid fit, slip fit, or rigid coupler.

Hardware supplied for CAP mounting. For PIN mounting, add suffix (P) to catalog number.

Castings: 356-T6 Aluminum
Mounting Hardware: Galvanized Steel

Example: WTSI-60-3P



CATALOG NUMBER	PIPE SIZE (NPS)	B.C.	DIMENSIONS-INCHES			WEIGHT (POUNDS)
			H	L	S	
WTSI-30-3	3/4	3	2	1-1/2	9/16 x 13/16	0.50
WTSI-30-5		5	2-1/4	1-1/2	11/16 x 1	1.45
WTSI-39-3	1	3	2	1-1/2	9/16 x 13/16	0.65
WTSI-39-5		5	2-1/4	1-1/2	11/16 x 1	2.20
WTSI-49-3	1-1/4	3	2-1/4	1-3/4	9/16 x 13/16	1.95
WTSI-49-5		5	2-1/4	1-3/4	11/16 x 1	2.50
WTSI-53-3	1-1/2	3	2-1/2	1-3/4	9/16 x 13/16	1.70
WTSI-53-5		5	2-1/2	1-3/4	11/16 x 1	2.85
WTSI-58-3	2	3	2-3/4	2	9/16 x 13/16	2.40
WTSI-58-5		5	2-3/4	2	11/16 x 1	3.00
WTSI-60-3	2-1/2	3	3-1/8	2	9/16 x 13/16	2.40
WTSI-60-5		5	3-1/8	2	11/16 x 1-1/16	3.00
WTSI-62-3	3	3	3-5/8	2-1/2	9/16 x 13/16	3.65
WTSI-62-5		5	3-5/8	2-1/2	11/16 x 1-1/16	4.25
WTSI-62-7		7	3-5/8	2-1/2	13/16 x 1-5/16	6.25
WTSI-63-3	3-1/2	3	4	3	9/16 x 13/16	3.65
WTSI-63-5		5	4	3	11/16 x 1-3/8	4.25
WTSI-63-7		7	4	3	13/16 x 1-3/16	5.50
WTSI-64-3	4	3	4-1/2	3	9/16 x 13/16	3.40
WTSI-64-5		5	4-1/2	3-1/2	11/16 x 1-1/8	5.25
WTSI-64-7		7	4-1/2	3	13/16 x 1-1/4	6.85
WTSI-67-5	5	5	5	4	11/16 x 1-3/8	5.75
WTSI-67-7		7	5	4	13/16 x 1-3/16	6.35