

BRONZE TERMINALS

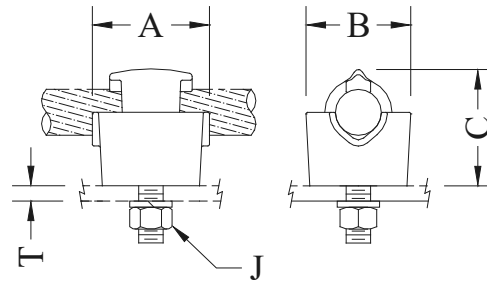
TYPE UN

"I" Bolt Connector

Cable to Flat

Castings: Electrical Bronze
Hardware: Silicon Bronze
"I" Bolt: Aluminum Bronze / Tinned

All-bronze ground connector for single cable to flat bar. For tin plating, add suffix (-SND) to catalog number. Not recommended for use with aluminum conductor.



CATALOG NUMBER	CONDUCTOR RANGE	DIMENSIONS - INCHES					WEIGHT (POUNDS)
		A	B	C	J	T	
UN-4048	#8 SOL-2/0 STR	1-3/4	1-1/4	1-9/16	1/2	5/16	0.55
UN-4048T		1-3/4	1-1/4	1-9/16	1/2	3/4	0.55
UN-4151	#6 STR-250 MCM	1-5/8	1-1/2	1-13/16	1/2	1/2	0.75
UN-4151T		1-5/8	1-1/2	1-13/16	1/2	1-1/8	0.75
UN-4553	#2 SOL-350 MCM	1-7/8	1-3/4	2-13/16	1/2	5/16	0.75
UN-4553T		1-3/4	1-3/4	2-13/16	1/2	3/4	0.75
UN-4656	1/0 SOL-500 MCM	2-1/8	2	2-1/2	5/8	5/16	1.00
UN-4656T		2-1/8	2	2-1/2	5/8	3/4	1.00

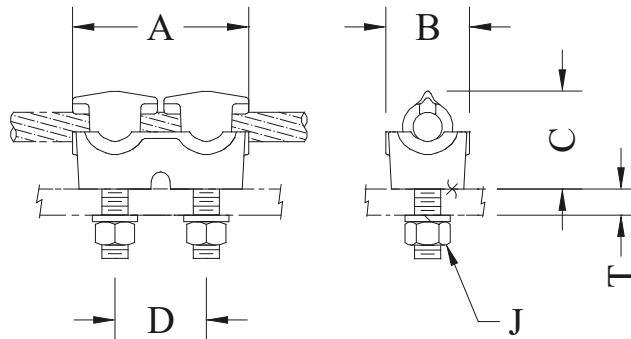
TYPE UNN

"I" Bolt Connector

One or Two Cable to Flat

Castings: Electrical Bronze
Hardware: Silicon Bronze
"I" Bolt: Aluminum Bronze / Tinned

All-bronze ground connector for use as single-cable double-grip or two-cable single-grip to flat to bar. For tin plating, add suffix (-SND) to catalog number. Not recommended for use with aluminum conductor.



CATALOG NUMBER	CONDUCTOR RANGE	DIMENSIONS - INCHES						WEIGHT (POUNDS)
		A	B	C	D	J	T	
UNN-4048	#8 SOL-2/0 STR	3-1/2	1-3/4	1-5/8	1-3/4	1/2	1/4	0.80
UNN-4048T							3/4	0.80
UNN-4151	#6 STR-250 MCM	3-1/2	1-3/4	1-7/8	1-3/4	1/2	5/16	1.50
UNN-4151T							3/4	1.50
UNN-4553	#2 SOL-350 MCM	3-5/8	1-7/8	2-3/16	1-3/4	1/2	5/16	1.65
UNN-4553T							3/4	1.65
UNN-4656	1/0 SOL-500 MCM	4-1/8	2-3/8	2-3/8	1-3/4	1/2	5/16	2.15
UNN-4656T							3/4	2.15
*UNN-5361	350 MCM-750 MCM	3-5/8	2-1/8	2-1/2	1-3/4	1/2	5/16	2.30
*UNN-5361T							3/4	2.30

* Single-cable, double-grip only.

SEFCOR