

BRONZE TERMINALS

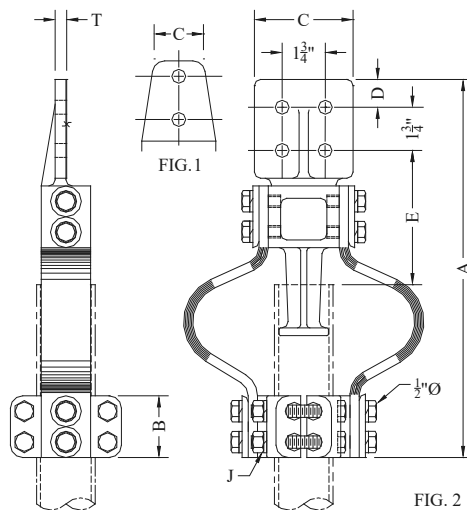
TYPE FNXT

Expansion
Pipe to Flat

Castings: Electrical Bronze
Laminated Straps: Copper
Hardware: Silicon Bronze
Options: See Page 194

Bronze alloy expansion terminal with hex head clamping bolts for connecting copper pipe to flat. Clamping bolts have hexstops for one-wrench installation. Flat pads have NEMA drilling. Connectors available with transverse 90° pad orientation. Add "V" to catalog number.

Example: FNXT-V-58-4A



CATALOG NUMBER	FIG. NO.	PIPE SIZE (NPS)	DIMENSIONS - INCHES							WEIGHT (POUNDS)
			A	B	C	D	E	J	T	
FNXT-30-2B	1	3/4	11-3/4	3	2	5/8	3-7/8	3/8	3/8	8.75
FNXT-30-4A	2		11-3/4	3	3	5/8	3-7/8	3/8	3/8	8.75
FNXT-39-2B	1	1	13	3	2	5/8	4-3/8	3/8	3/8	10.25
FNXT-39-4A	2		13	3	3	5/8	4-3/8	3/8	3/8	10.25
FNXT-49-2B	1	1-1/4	14	2-1/2	2	5/8	4-3/4	1/2	3/8	12.80
FNXT-49-4A	2		14	2-1/2	3	5/8	4-3/4	1/2	3/8	12.80
FNXT-49-4B	2		14-3/8	2-1/2	4	1-1/8	4-3/4	1/2	3/8	13.00
FNXT-53-2B	1	1-1/2	15	3-1/2	2	5/8	5-1/8	1/2	7/16	16.15
FNXT-53-4A	2		15	3-1/2	3	5/8	5-1/8	1/2	7/16	16.15
FNXT-53-4B	2		16	3-1/2	4	1-1/8	5-5/8	1/2	7/16	16.15
FNXT-58-2B	1	2	16	2-1/2	2	5/8	5-7/16	1/2	7/16	24.70
FNXT-58-4A	2		16	2-1/2	3	5/8	5-7/16	1/2	7/16	24.75
FNXT-58-4B	2		17	2-1/2	4	1-1/8	5-7/16	1/2	7/16	24.70
FNXT-60-4A	2	2-1/2	18	3-3/4	3	5/8	5-5/8	1/2	1/2	34.60
FNXT-60-4B	2		19	3-3/4	4	1-1/8	5-5/8	1/2	5/8	32.20
FNXT-62-4A	2	3	15-3/8	3	3	5/8	5-3/8	5/8	11/16	39.15
FNXT-62-4B	2		16-3/8	3	4	1-1/8	5-3/8	5/8	11/16	39.15
FNXT-63-4A	2	3-1/2	15-3/8	3	3	5/8	5-7/8	5/8	3/4	47.05
FNXT-63-4B	2		16-3/8	3	4	1-1/8	5-7/8	5/8	3/4	47.05
FNXT-64-4A	2	4	18-3/8	4	3	5/8	5-1/2	5/8	3/4	45.05
FNXT-64-4B	2		19-3/8	4	4	1-1/8	6	5/8	3/4	53.15

SEFCOR